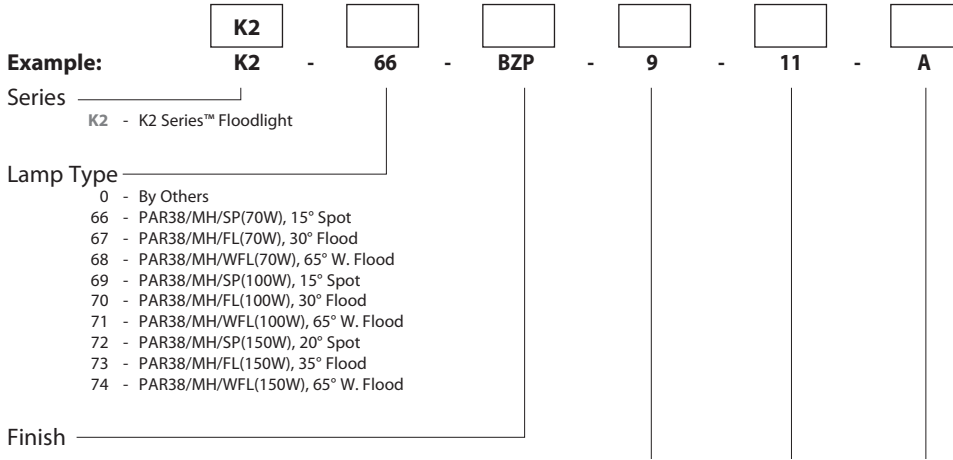


Par 38 Metal Halide

K2 SERIES™ FLOODLIGHT

PROJECT:	
TYPE:	
CATALOG NUMBER:	
SOURCE:	
NOTES:	

CATALOG NUMBER LOGIC



Configure Ballast Housing Separately
Ballast Housing Required

INTEGRAL BALLAST HOUSINGS:

- HP2 - HP2 Housing
- PM3 - Universal Power Module 3
- PM3D - Universal Power Module 3 Dual
- PC - Power Canopy
- PCII - Power Canopy II
- TMB - Pole Mount or Tenon Mount
- TSB - Tree Strap Mount

REMOTE BALLAST HOUSINGS:

- HP2RM - HP2 Remote Housing
- PM3RM - Universal Power Module 3 Remote
- PM3DRM - Universal Power Module 3 Dual Remote
- RM - Remote Wall Mount
- DRM - Dual Remote Wall Mount

Standard Finish			Premium Finish		
Powder Coat Color	Satin	Wrinkle	ABP	CMG	RMG
Bronze	BZP	BZW	Antique Brass Powder	Cascade Mountain Granite	Rocky Mountain Granite
Black	BLP	BLW	AMG	Cracked Ice	SDS
White (Gloss)	WHP	WHW	Aleutian Mountain Granite	Cream	Sonoran Desert Sandstone
Aluminum	SAP	—	AQW	Hunter Green	SMG
Verde	—	VER	Antique White	Mojave Desert Sandstone	Sierra Mountain Granite
			BCM	Natural Brass Powder	TXF
			Black Chrome	Old Copper	Textured Forest
			BGE	—	WCP
			Beige	Also available in RAL Finishes See submittal SUB-1439-00	Weathered Copper
			BPP		WIR
			Brown Patina Powder		Weathered Iron
			CAP		
			Clear Anodized Powder		

Lens Type 9 - Clear (Standard) 10 - Spread Lens* 13 - Rectilinear Lens*

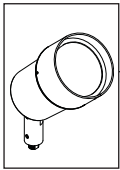
Shielding 11 - Honeycomb Baffle*
**Accommodates up to 2 Lens/Shielding media*

Cap Style A - 45° B - 90° C - Flush D - 45° without Weep Hole (Interior Use Only) E - 90° without Weep Hole (Interior Use Only)

SOURCE DATA

BK No.	Lamp Watts	Description	Rated Life	Center Beam Candlepower	Beam Angle	Beam Type
66	70	70PAR38/MH/SP	7,500	28,000	15°	Spot
67	70	70PAR38/MH/FL	7,500	16,000	30°	Flood
68	70	70PAR38/MH/WFL	7,500	4,000	65°	Wide Flood
69	100	100PAR38/MH/SP	7,500	40,000	15°	Spot
70	100	100PAR38/MH/FL	7,500	21,000	30°	Flood
71	100	100PAR38/MH/WFL	7,500	6,000	65°	Wide Flood
72	150	150PAR38/MH/SP	8,500	34,000	20°	Spot
73	150	150PAR38/MH/FL	8,500	17,000	35°	Flood
74	150	150PAR38/MH/WFL	8,500	7,500	65°	Wide Flood

B-K LIGHTING	40429 Brickyard Drive • Madera, CA 93636 • USA 559.438.5800 • FAX 559.438.5900 www.bklighting.com • info@bklighting.com	SUBMITTAL DATE 5-24-12	DRAWING NUMBER S001212
	<p>THIS DOCUMENT CONTAINS PROPRIETARY INFORMATION OF B-K LIGHTING, INC. AND ITS RECEIPT OR POSSESSION DOES NOT CONVEY ANY RIGHTS TO REPRODUCE, DISCLOSE ITS CONTENTS, OR TO MANUFACTURE, USE OR SELL ANYTHING IT MAY DESCRIBE. REPRODUCTION, DISCLOSURE OR USE WITHOUT SPECIFIC WRITTEN AUTHORIZATION OF B-K LIGHTING, INC. IS STRICTLY FORBIDDEN.</p>		

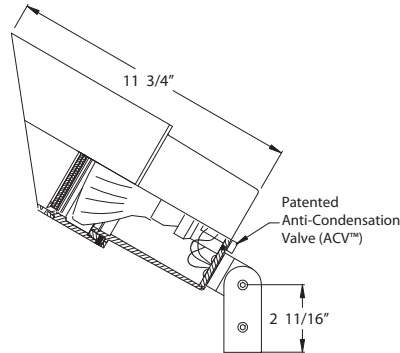


Par 38 Metal Halide

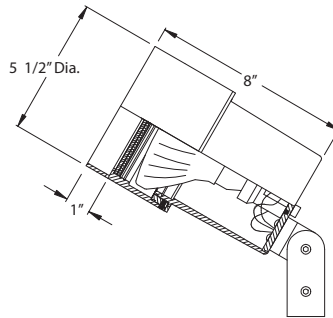
K2 SERIES™ FLOODLIGHT

PROJECT:	
TYPE:	

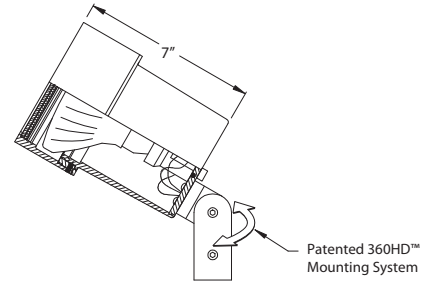
"A/D" CAP



"B/E" CAP



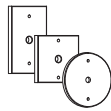
"C" CAP



All dimensions indicated on this submittal are nominal. Contact Technical Sales if you require more stringent specifications.

Accessories (Configure separately)

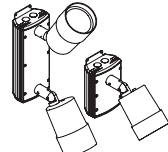
Mounting:



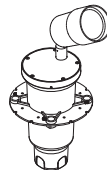
Canopies



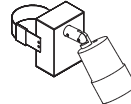
Power Canopy™



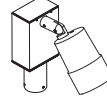
PM3D & PM3



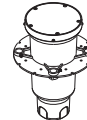
HP2



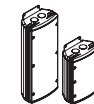
TSB



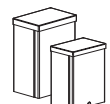
TMB



HP2RM



PM3DRM & PM3RM



RM & DRM

Ballast Housings (Configure separately)

Ballasts:

SPECIFICATIONS

GreenSource Initiative™

Metal and packaging components are made from recycled materials. Manufactured using renewable solar energy, produced onsite. Returnable to manufacturer at end of life to ensure cradle-to-cradle handling. Packaging contains no chlorofluorocarbons (CFC's). Use of this product may qualify for GreenSource efficacy and recycling rebate(s). Consult www.bklighting.com/greensource for program requirements.

Materials

Furnished in Copper-Free Aluminum (Type 6061-T6).

Body

Fully machined. Unibody design provides enclosed, water-proof wireway and integral heat sink for maximum component life. Integral knuckle for maximum mechanical strength. High temperature, silicone 'O' Ring provides water-tight seal.

Knuckle

Patented 360HD™ Mounting System features a mechanical taper-lock, which allows a full 180° vertical adjustment without the use of serrated teeth, which inherently limit aiming. High temperature, silicone 'O' Ring provides water-tight seal and compressive resistance to maintain fixture position. Design withstands 73 lb. static load prior to movement to ensure decades of optical alignment. 1/2" pipe thread for mounting. Biaxial source control additionally provides 360° horizontal rotation in addition to vertical adjustment. 'Aim-And-Lock' Technology allows precision adjustment without the redundant tightening and loosening of knuckle screw.

Cap

Fully machined. Accommodates [2] lens or louver media. Choose from 45° cutoff ('A' or 'D'), 1" deep bezel with 90° cutoff ('B' or 'E') or flush lens ('C') cap styles. 'A' and 'B' caps include weep-hole for water and debris drainage. 'D' and 'E' caps exclude weep-hole and are for interior use only.

Lens

Shock resistant, tempered, glass lens is factory adhered to fixture cap and provides hermetically sealed optical compartment.

Source

For use with 150 watt maximum, Par38 MH lamp.

Water Management

Patented Anti-Condensation Valve (ACV™) vacuum seals optical chamber and eliminates internal condensation. Spring loaded exterior mounted ACV™ button facilitates removal of vacuum sealed cap for lamp service. System re-initiates vacuum seal through normal fixture operation.

Ballast

For use with remote metal halide ballast. See ballast technical data to determine lamp-to-ballast distance and wiring requirements prior to detailing field installation of any remote wiring.

Socket

Specification grade ceramic body lamp holder rated for 4kV starting pulse. Medium base, nickel-plated copper alloy lamp grip and screw shell. Corrosion resistant coil spring under center contact.

Wiring

Teflon® coated wire, 18AWG, 600V, 250° C rated and certified to UL 1659 standard. Leads extended 6" beyond knuckle.

Hardware

Tamper-resistant, stainless steel hardware. 360HD™ hardware is additionally black oxide treated for additional corrosion resistance.

Finish

StarGuard®, our exclusive RoHs compliant, 15 stage chromate-free process cleans and conversion coats aluminum components prior to application of Class 'A' TGIC polyester powder coating.

Warranty

5 year limited warranty.

Certification and Listing

ETL Listed to ANSI/UL Standards 1598. Certified to CAN/CSA Standard C22.2 No 250.0-08. RoHs compliant. Suitable for indoor or outdoor use. Suitable for use in wet locations. Additionally suitable for installation within 4' of the ground. IP66 Rated. Made in USA.



*Teflon is a registered trademark of DuPont Corporation.

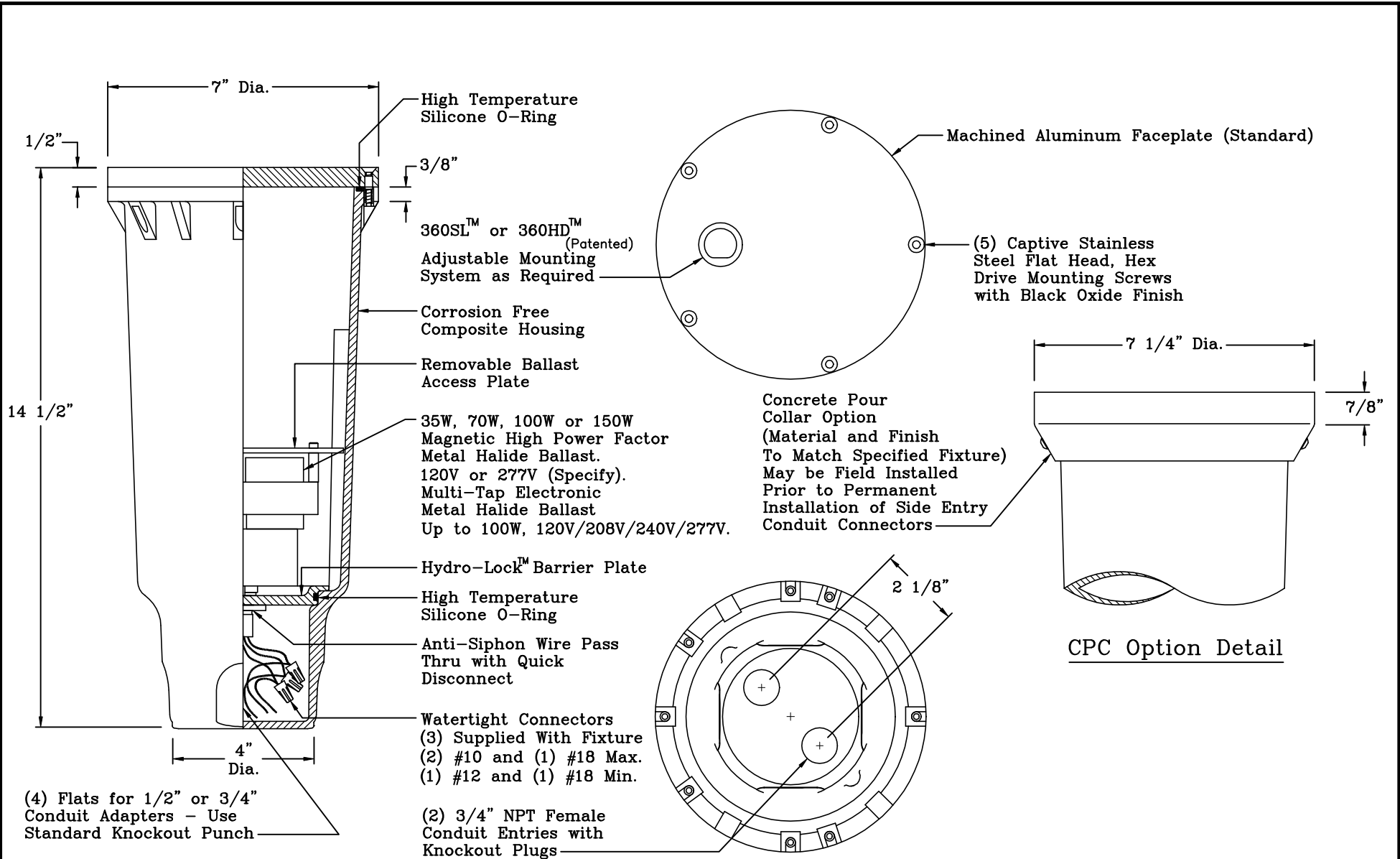
*Energy Star is a registered trademark of the United States Environmental Protection Agency.

B-K LIGHTING

40429 Brickyard Drive • Madera, CA 93636 • USA
559.438.5800 • FAX 559.438.5900
www.bklighting.com • info@bklighting.com

SUBMITTAL DATE
5-24-12

DRAWING NUMBER
S001212



See Reverse Side For Ballast Catalog Number Logic

For Use With EV™, SE™, K2™, YO™ or SU™ Series Metal Halide Fixtures



HP ² ™ METAL HALIDE BALLAST		DRAWING NUMBER
5/02	B-K LIGHTING, INC.	SUB-1215-02

CATALOG NUMBER LOGIC

(Add to Fixture Catalog Number)

EXAMPLE: HP2 - H35M - 277 - CPC

Housing: _____

HP2

Ballast Type: _____

H35M - 35W Magnetic
H70M - 70W Magnetic
H100M - 100W Magnetic
H150M - 150W Magnetic
H35E - 35W Electronic
H70E - 70W Electronic
H100E - 100W Electronic

Input Voltage: _____

120

277

MT - Multi-Tap Electronic
Metal Halide Ballast 120/208/240/277

Options: _____

CPC - Concrete Pour Collar ●

- (Material and Finish to Match Specified Fixture)
- (May be Field Installed Prior to Permanent Installation of Side Entry Conduit Connectors)

Features:

- Precision Machined Aluminum Faceplate.
- Corrosion Free Composite Recessed Below Grade Housing.
- 360SL™ or 360HD™ (Patented) Adjustable Mounting System, Allows Rotational Adjustment with O-Ring Seal and Tamperproof Design.
- 35W, 70W, 100W or 150W Magnetic High Power Factor, Metal Halide Ballast (Standard) with Class H Insulation, 120V or 277V (Specify).
- 35W, 70W or 100W Multi-Tap Electronic Metal Halide Ballast 120V/208V/240V/277V.
- Junction Box with Hydro-Lock™ Barrier Plate.
- Concrete Pour Collar Available in Aluminum or Brass.
- Large High Temperature Silicone Compression Type O-Ring with Five Stainless Steel Countersunk Hex Socket Captive Mounting Screws, Creates Water Tight Seal.
- Watertight Connectors, (3) Supplied with Fixture.

For Use With EV™, SE™, K2™, YO™ or SU™
Series Metal Halide Fixtures

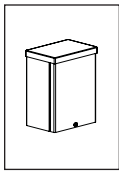


HP²™ METAL HALIDE BALLAST CATALOG NO. LOGIC

5/02

B-K LIGHTING, INC.

DRAWING NUMBER
SUB-1215-02



Surface Mount

Remote Ballast Housing

PROJECT:	
TYPE:	
CATALOG NUMBER:	
SOURCE:	
NOTES:	

CATALOG NUMBER LOGIC



Remote Ballast Housing

RM - Remote Wall Mount

Ballast Type

Metal Halide

H35M - (35W) Magnetic

H50M - (50W) Magnetic

H70M - (70W) Magnetic

H100M - (100W) Magnetic

H150M - (150W) Magnetic

H35E - (35W) Electronic

H50E - (50W) Electronic

H70E - (70W) Electronic

H100E - (100W) Electronic

H150E - (150W) Electronic*

High Pressure Sodium

S35M - (35W) Magnetic**

S50M - (35W) Magnetic

S70M - (70W) Magnetic

* H150E Available in 120 VAC or 277 VAC only. ** S35M Available in 120 VAC Only.

Input Voltage

120 - 120 Volt

277 - 277 Volt

MT - 120/208/240/277 Volt Multi Tap

Electronic Ballast Only. * H150E available in 120 VAC or 277 VAC only

Finish

Aluminum Finishes

Powder Coat Color	Satin	Wrinkle
Bronze	BZP	BZW
Black	BLP	BLW
White (Gloss)	WHP	WHW
Aluminum	SAP	—
Verde	—	VER

Also available in Premium Finishes. See submittal SUB-1439-00 for Premium Finishes.

⚠ REMOTE WIRING

Remote ballast installations require inter-connected wiring between the lamp and ballast (by others) and have specific wiring requirements between these components. Ballast manufacturers regularly recommend the following wiring details for such installations.

Electronic Ballast

- 1 Foot Minimum and 15 Foot Maximum Remote Wire Length (Ballast to Lamp Socket).
- Lamp leads must be run in a separate, dedicated metal conduit.
- Lamp leads must be 18 gauge, wire type SF-2 or SFF-2.
- Lamp leads must be placed in a minimum 1/2" internal diameter conduit, pipe, or flexible conduit.
- The use of metal clad cable assemblies or service power cords (SJ, SO, etc.) is prohibited.

Magnetic Ballast

- 35 Watt = 15 Foot Minimum and 50 Foot Maximum Remote Wire Length (Ballast to Lamp Socket).
- >35 Watt = 1 Foot Minimum and 50 Foot Maximum Remote Wire Length (Ballast to Lamp Socket).

Please consult the factory through your local B-K Lighting Sales Representative prior to finalizing any installation detail utilizing remote ballast wiring.

Failure to comply with specific wiring requirements will void product warranty.

BALLAST ELECTRICAL DATA

BALLAST	TYPE	INPUT VOLTS	INPUT WATTS	INPUT CURRENT	CIRCUIT TYPE	MINIMUM START TEMPERATURE	REMOTE BALLAST WIRE LENGTH
H35M	Magnetic	120	53	1.10	HX-HPF	-20° F	15' Min - 50' Max.
H35M	Magnetic	277	56	0.40	HX-HPF	-20° F	15' Min - 50' Max.
H50M	Magnetic	120	72	1.00	HX-HPF	-20° F	1' Min - 50' Max.
H50M	Magnetic	277	72	0.50	HX-HPF	-20° F	1' Min - 50' Max.
H70M	Magnetic	120	90	1.90	HX-HPF	-20° F	1' Min - 50' Max.
H70M	Magnetic	277	90	0.80	HX-HPF	-20° F	1' Min - 50' Max.
H100M	Magnetic	120	129	1.50	HX-HPF	-22° F	1' Min - 50' Max.
H100M	Magnetic	277	118	0.35	HX-HPF	-22° F	1' Min - 50' Max.
H150M	Magnetic	120	185	1.90	HX-HPF	-22° F	1' Min - 50' Max.
H150M	Magnetic	277	173	0.75	HX-HPF	-22° F	1' Min - 50' Max.
H35E*	Electronic	120	44	0.39	HPF	-5° F	1' Min - 15' Max.
H35E*	Electronic	277	44	0.17	HPF	-5° F	1' Min - 15' Max.
H50E*	Electronic	120	58	0.49	HPF	-5° F	1' Min - 15' Max.
H50E*	Electronic	277	58	0.21	HPF	-5° F	1' Min - 15' Max.
H70E*	Electronic	120	79	0.67	HPF	-5° F	1' Min - 15' Max.
H70E*	Electronic	277	79	0.29	HPF	-5° F	1' Min - 15' Max.
H100E*	Electronic	120	110	0.90	HPF	-5° F	1' Min - 15' Max.
H100E*	Electronic	277	110	0.41	HPF	-5° F	1' Min - 15' Max.
H150E*	Electronic	120	167	1.40	HPF	-22° F	1' Min - 15' Max.
H150E*	Electronic	277	167	0.61	HPF	-22° F	1' Min - 15' Max.
*Ballast Manufacturer's requirement: Wire used must only be 18 gauge, SF2 or SFF2, and be in a dedicated metal conduit of 1/2" I.D. Minimum, per lamp.							
S35M	Magnetic	120	46	0.80	RX-HPF	-40° F	1' Min - 15' Max.
S50M	Magnetic	120	66	1.00	HX-HPF	-40° F	1' Min - 35' Max.
S50M	Magnetic	277	66	0.50	HX-HPF	-40° F	1' Min - 35' Max.
S70M	Magnetic	120	91	1.40	HX-HPF	-40° F	1' Min - 35' Max.
S70M	Magnetic	277	91	0.70	HX-HPF	-40° F	1' Min - 35' Max.

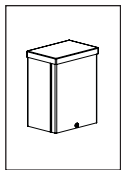
B-K LIGHTING

40429 Brickyard Drive • Madera, CA 93636 • USA
559.438.5800 • FAX 559.438.5900
www.bklighting.com • info@bklighting.com

SUBMITTAL DATE
6-13-11

DRAWING NUMBER
SUB-1799-00

THIS DOCUMENT CONTAINS PROPRIETARY INFORMATION OF B-K LIGHTING, INC. AND ITS RECEIPT OR POSSESSION DOES NOT CONVEY ANY RIGHTS TO REPRODUCE, DISCLOSE ITS CONTENTS, OR TO MANUFACTURE, USE OR SELL ANYTHING IT MAY DESCRIBE. REPRODUCTION, DISCLOSURE OR USE WITHOUT SPECIFIC WRITTEN AUTHORIZATION OF B-K LIGHTING, INC. IS STRICTLY FORBIDDEN.

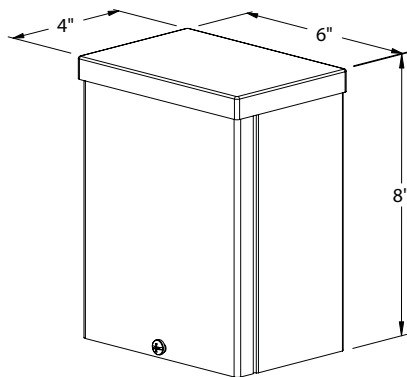


Surface Mount

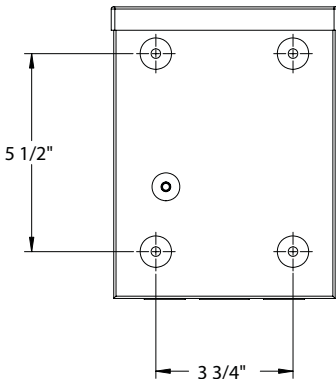
Remote Ballast Housing

PROJECT:	
TYPE:	

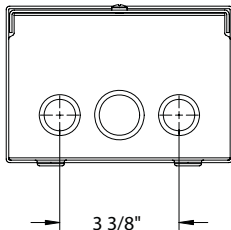
SIDE VIEW



BACK VIEW



END VIEW



SPECIFICATIONS

GreenSource Initiative™

Metal and packaging components are made from recycled materials. Manufactured using renewable solar energy, produced onsite. Returnable to manufacturer at end of life to ensure cradle-to-cradle handling. Packaging contains no chloro-fluorocarbons (CFC's). RoHs compliant.

Installation

Nema 3R, surface mount design. For use with remote metal halide fixture (specified separately).

Housing

Steel construction with screw cover. Front access for ease of installation and inspection. [2] bottom entry, 3/4" conduit knockouts.

Wiring / Connectors

Teflon[®] coated wire, 18 gauge, 600V, 250°C rated and certified to UL1659 standard. Pre-wired and labeled terminal strip.

Magnetic Ballast

[1] 35-150 watt, Class H insulated, integral, high power factor, magnetic ballast. 120V or 277V primary voltage, 60Hz.

Electronic Ballast

[1] 35-150 watt, integral, high power factor, electronic ballast. Multi-Tap (120/208/240/277V) primary voltage 50/60Hz. H150E available in 120V, or 277V primary voltage. 50/60Hz.

Finish

StarGuard[®] (Pat. Pend.), a 15 stage chromate-free process cleans and conversion coats aluminum components prior to application of Class 'A' TGIC polyester powder coating. RoHs compliant.

Warranty

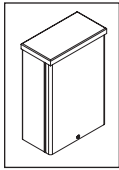
5 year limited warranty.

Listings

NEMA 3R Enclosure. ETL Listed to ANSI/UL Standard 50/50E and Certified to CAN/CSA Standard C22.2 No. 94.1/94.2. RoHs compliant. Made in USA.



®Teflon is a registered trademark of DuPont Corporation.

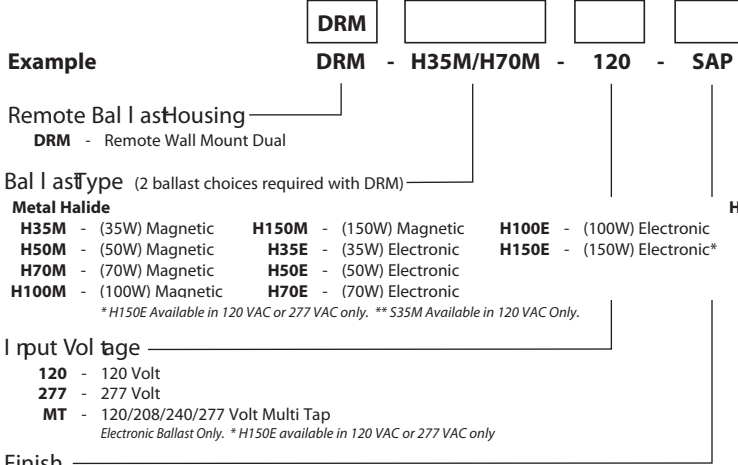


Surface Mount

Dual Remote Ballast Housing

PROJECT:	
TYPE:	
CATALOG NUMBER:	
SOURCE:	
NOTES:	

CATALOG NUMBER LOGIC



Aluminum Finishes

Powder Coat Color	Satin	Wrinkle
Bronze	BZP	BZW
Black	BLP	BLW
White (Gloss)	WHP	WHW
Aluminum	SAP	—
Verde	—	VER

Also available in Premium Finishes. See submittal SUB-1439-00 for Premium Finishes.

REMOTE WIRING

Remote ballast installations require inter-connected wiring between the lamp and ballast (by others) and have specific wiring requirements between these components. Ballast manufacturers regularly recommend the following wiring details for such installations.

Electronic Ballast

- 1 Foot Minimum and 15 Foot Maximum Remote Wire Length (Ballast to Lamp Socket).
- Lamp leads must be run in a separate, dedicated metal conduit.
- Lamp leads must be 18 gauge, wire type SF-2 or SFF-2.
- Lamp leads must be placed in a minimum 1/2" internal diameter conduit, pipe, or flexible conduit.
- The use of metal clad cable assemblies or service power cords (SJ, SO, etc.) is prohibited.

Magnetic Ballast

- 35 Watt = 15 Foot Minimum and 50 Foot Maximum Remote Wire Length (Ballast to Lamp Socket).
- >35 Watt = 1 Foot Minimum and 50 Foot Maximum Remote Wire Length (Ballast to Lamp Socket).

Please consult the factory through your local B-K Lighting Sales Representative prior to finalizing any installation detail utilizing remote ballast wiring.

Failure to comply with specific wiring requirements will void product warranty.

BALLAST ELECTRICAL DATA

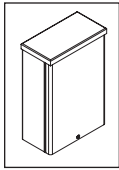
BALLAST	TYPE	INPUT VOLTS	INPUT WATTS	INPUT CURRENT	CIRCUIT TYPE	MINIMUM START TEMPERATURE	REMOTE BALLAST WIRE LENGTH
H35M	Magnetic	120	53	1.10	HX-HPF	-20° F	15' Min - 50' Max.
H35M	Magnetic	277	56	0.40	HX-HPF	-20° F	15' Min - 50' Max.
H50M	Magnetic	120	72	1.00	HX-HPF	-20° F	1' Min - 50' Max.
H50M	Magnetic	277	72	0.50	HX-HPF	-20° F	1' Min - 50' Max.
H70M	Magnetic	120	90	1.90	HX-HPF	-20° F	1' Min - 50' Max.
H70M	Magnetic	277	90	0.80	HX-HPF	-20° F	1' Min - 50' Max.
H100M	Magnetic	120	129	1.50	HX-HPF	-22° F	1' Min - 50' Max.
H100M	Magnetic	277	118	0.35	HX-HPF	-22° F	1' Min - 50' Max.
H150M	Magnetic	120	185	1.90	HX-HPF	-22° F	1' Min - 50' Max.
H150M	Magnetic	277	173	0.75	HX-HPF	-22° F	1' Min - 50' Max.
H35E*	Electronic	120	44	0.39	HPF	-5° F	1' Min - 15' Max.
H35E*	Electronic	277	44	0.17	HPF	-5° F	1' Min - 15' Max.
H50E*	Electronic	120	58	0.49	HPF	-5° F	1' Min - 15' Max.
H50E*	Electronic	277	58	0.21	HPF	-5° F	1' Min - 15' Max.
H70E*	Electronic	120	79	0.67	HPF	-5° F	1' Min - 15' Max.
H70E*	Electronic	277	79	0.29	HPF	-5° F	1' Min - 15' Max.
H100E*	Electronic	120	110	0.90	HPF	-5° F	1' Min - 15' Max.
H100E*	Electronic	277	110	0.41	HPF	-5° F	1' Min - 15' Max.
H150E*	Electronic	120	167	1.40	HPF	-22° F	1' Min - 15' Max.
H150E*	Electronic	277	167	0.61	HPF	-22° F	1' Min - 15' Max.
*Ballast Manufacturer's requirement: Wire used must only be 18 gauge, SF2 or SFF2, and be in a dedicated metal conduit of 1/2" I.D. Minimum, per lamp.							
S35M	Magnetic	120	46	0.80	RX-HPF	-40° F	1' Min - 15' Max.
S50M	Magnetic	120	66	1.00	HX-HPF	-40° F	1' Min - 35' Max.
S50M	Magnetic	277	66	0.50	HX-HPF	-40° F	1' Min - 35' Max.
S70M	Magnetic	120	91	1.40	HX-HPF	-40° F	1' Min - 35' Max.
S70M	Magnetic	277	91	0.70	HX-HPF	-40° F	1' Min - 35' Max.

B-K LIGHTING

40429 Brickyard Drive • Madera, CA 93636 • USA
 559.438.5800 • FAX 559.438.5900
 www.bklighting.com • info@bklighting.com

SUBMITTAL DATE
 6-13-11

DRAWING NUMBER
 SUB001125

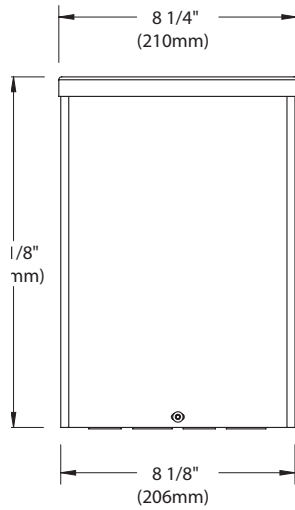


Surface Mount

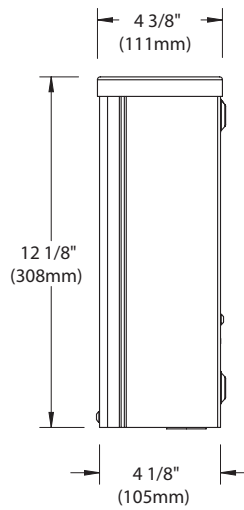
Dual Remote Ballast Housing

PROJECT:	
TYPE:	

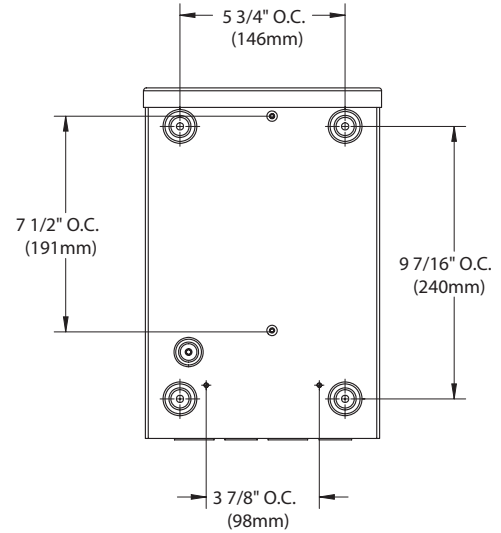
FRONT VIEW



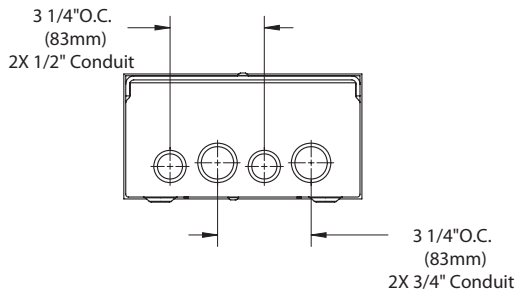
SIDE VIEW



BACK VIEW



END VIEW



SPECIFICATIONS

GreenSource Initiative™

Metal and packaging components are made from recycled materials. Manufactured using renewable solar energy, produced onsite. Returnable to manufacturer at end of life to ensure cradle-to-cradle handling. Packaging contains no chloro-fluorocarbons (CFC's). RoHs compliant.

Installation

Nema 3R, surface mount design. For use with remote metal halide fixture (specified separately).

Housing

Steel construction with screw cover. Front access for ease of installation and inspection. [2] bottom entry, 3/4" conduit knockouts.

Wiring / Connectors

Teflon[®] coated wire, 18 gauge, 600V, 250[°] rated and certified to UL1659 standard. Pre-wired and labeled terminal strip.

Magnetic Ballast

[2] 35-150 watt, Class H insulated, integral, high power factor, magnetic ballast. 120V or 277V primary voltage, 60Hz.

Electronic Ballast

[2] 35-150 watt, integral, high power factor, electronic ballast. Multi-Tap (120/208/240/277V) primary voltage 50/60Hz. H150E available in 120V, or 277V primary voltage. 50/60Hz.

Finish

StarGuard[®] (Pat. Pend.), a 15 stage chromate-free process cleans and conversion coats aluminum components prior to application of Class 'A' TGIC polyester powder coating. RoHs compliant.

Warranty

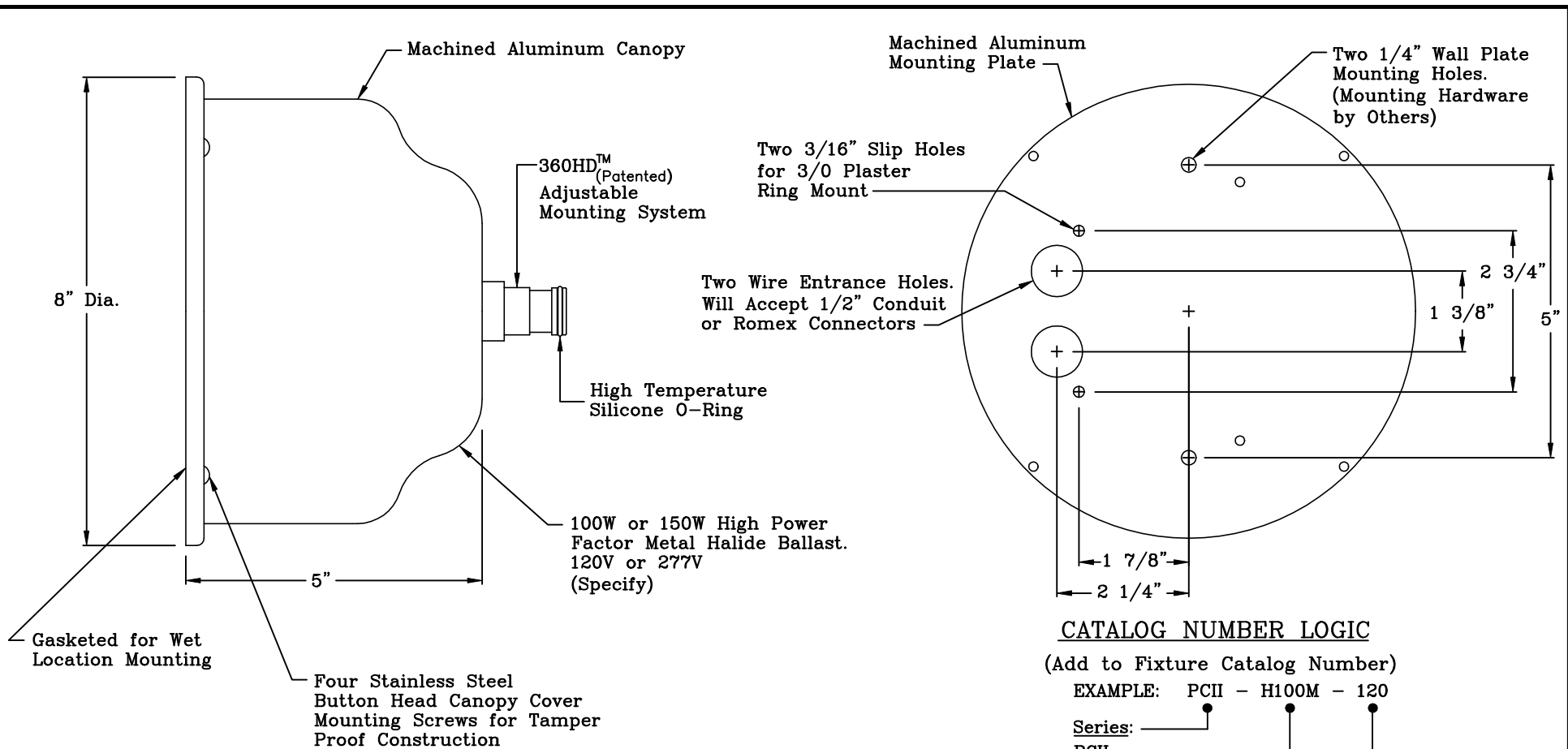
5 year limited warranty.

Listings

NEMA 3R Enclosure. ETL Listed to ANSI/UL Standard 1029 and Certified to CAN/CSA Standard C22.2 No. 74. RoHs compliant. Made in USA.



®Teflon is a registered trademark of DuPont Corporation.



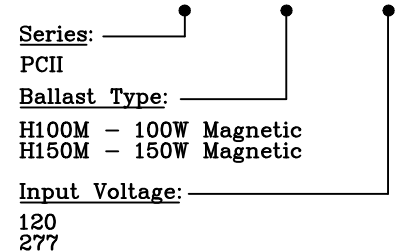
Features:

- All Precision Machined Aluminum Canopy and Mounting Plate, with Stainless Steel Hardware.
- 360HD™ (Patented) Adjustable Mounting System, Allows Rotational Adjustment with O-Ring Seal and Tamperproof Design.
- 100W or 150W High Power Factor, Metal Halide Ballast with Class H Insulation. (Specify)
- 120V or 277V Input Ballast Available. (Specify)
- Two 1/2" Conduit Entry Knockouts.
- Additional Junction Box Not Required, However Back Plate is Designed to Mount to Recessed Junction Box.

CATALOG NUMBER LOGIC

(Add to Fixture Catalog Number)

EXAMPLE: PCII - H100M - 120



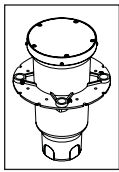
Wall or Ceiling Mount Only

Must Be Mounted One Foot Above Grade Level (Minimum)

For Use With K2™ Series Metal Halide Fixtures



PCII™ METAL HALIDE BALLAST SERIES		
3/03	B-K LIGHTING, INC.	DRAWING NUMBER SUB-1190-03



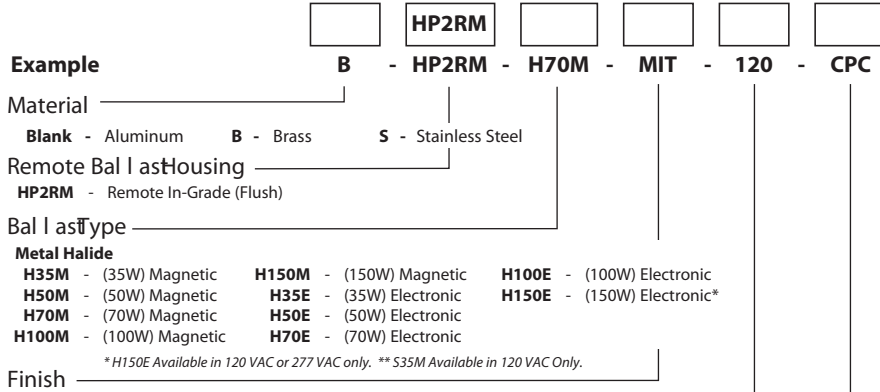
Precision²
BY THE NAME OF TRADE LIGHTING

In-Grade

HP²RM™ Remote Ballast

PROJECT:	
TYPE:	
CATALOG NUMBER:	
SOURCE:	
NOTES:	

CATALOG NUMBER LOGIC



Aluminum & Brass Faceplates			Brass Faceplates		Premium Finish	
Powder Coat Color	Satin	Wrinkle	Machined	MAC	ABP	HUG
Bronze	BZP	BZW	Polished	POL	AMG Aleutian Mountain Granite	MDS Mojave Desert Sandstone
Black	BLP	BLW	Mitique™	MIT	AQW Antique White	NBP Natural Brass Powder
White (Gloss)	WHP	WHW	Stainless Faceplates		BCM Black Chrome	OCP Old Copper
Aluminum	SAP	—	Machined	MAC	BGE Beige	RMG Rocky Mountain Granite
Verde	—	VER	Polished	POL	BPP Brown Patina Powder	SDS Sonoran Desert Sandstone
			Brushed	BRU <small>Interior use only.</small>	CAP Clear Anodized Powder	SMG Sierra Mountain Granite
			<small>Also available in RAL Finishes See submittal SUB-1439-00</small>		CMG Cascade Mountain Granite	TXF Textured Forest
					CRI Cracked Ice	WCP Weathered Copper
					CRM Cream	WIR Weathered Iron

Input Voltage

120 - 120 Volt

277 - 277 Volt

MT - 120/208/240/277 Volt Multi Tap Electronic Ballast Only

Ballast Option

CPC - Concrete Pour Collar
 Material and Finish to Match Faceplate. May be Field Installed prior to permanent installation of side conduit connectors.

⚠ REMOTE WIRING

Remote ballast installations require interconnected wiring between the lamp and ballast (by others) and have specific wiring requirements between these components. Ballast manufacturers regularly recommend the following wiring details for such installations.

Electronic Ballast

- 1 Foot Minimum and 15 Foot Maximum Remote Wire Length (Ballast to Lamp Socket).
- Lamp leads must be run in a separate, dedicated metal conduit.
- Lamp leads must be 18 gauge, wire type SF-2 or SFF-2.
- Lamp leads must be placed in a minimum 1/2" internal diameter conduit, pipe, or flexible conduit.
- The use of metal clad cable assemblies or service power cords (SJ, SO, etc.) is prohibited.

Magnetic Ballast

- 35 Watt = 15 Foot Minimum and 50 Foot Maximum Remote Wire Length (Ballast to Lamp Socket).
- >35 Watt = 1 Foot Minimum and 50 Foot Maximum Remote Wire Length (Ballast to Lamp Socket).

Please consult the factory through your local B-K Lighting Sales Representative prior to finalizing any installation detail utilizing remote ballast wiring.

Failure to comply with specific wiring requirements will void product warranty.

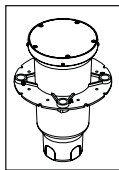
BALLAST ELECTRICAL DATA

BALLAST	TYPE	INPUT VOLTS	INPUT WATTS	INPUT CURRENT	CIRCUIT TYPE	MINIMUM START TEMPERATURE	REMOTE BALLAST WIRE LENGTH
H35M	Magnetic	120	53	1.10	HX-HPF	-20° F	15' Min - 50' Max.
H35M	Magnetic	277	56	0.40	HX-HPF	-20° F	15' Min - 50' Max.
H50M	Magnetic	120	72	1.00	HX-HPF	-20° F	1' Min - 50' Max.
H50M	Magnetic	277	72	0.50	HX-HPF	-20° F	1' Min - 50' Max.
H70M	Magnetic	120	90	1.90	HX-HPF	-20° F	1' Min - 50' Max.
H70M	Magnetic	277	90	0.80	HX-HPF	-20° F	1' Min - 50' Max.
H100M	Magnetic	120	129	1.50	HX-HPF	-22° F	1' Min - 50' Max.
H100M	Magnetic	277	118	0.35	HX-HPF	-22° F	1' Min - 50' Max.
H150M	Magnetic	120	185	1.90	HX-HPF	-22° F	1' Min - 50' Max.
H150M	Magnetic	277	173	0.75	HX-HPF	-22° F	1' Min - 50' Max.
H35E*	Electronic	120	44	0.39	HPF	-5° F	1' Min - 15' Max.
H35E*	Electronic	277	44	0.17	HPF	-5° F	1' Min - 15' Max.
H50E*	Electronic	120	58	0.49	HPF	-5° F	1' Min - 15' Max.
H50E*	Electronic	277	58	0.21	HPF	-5° F	1' Min - 15' Max.
H70E*	Electronic	120	79	0.67	HPF	-5° F	1' Min - 15' Max.
H70E*	Electronic	277	79	0.29	HPF	-5° F	1' Min - 15' Max.
H100E*	Electronic	120	110	0.90	HPF	-5° F	1' Min - 15' Max.
H100E*	Electronic	277	110	0.41	HPF	-5° F	1' Min - 15' Max.
H150E*	Electronic	120	167	1.40	HPF	-22° F	1' Min - 15' Max.
H150E*	Electronic	277	167	0.61	HPF	-22° F	1' Min - 15' Max.

*Ballast Manufacture's requirement: Wire used must only be 18 gauge, SF2 or SFF2, and be in a dedicated metal conduit of 1/2" I.D. Minimum, per lamp.

B-K LIGHTING	40429 Brickyard Drive • Madera, CA 93636 • USA 559.438.5800 • FAX 559.438.5900 www.bklighting.com • info@bklighting.com	SUBMITTAL DATE	DRAWING NUMBER
		10-21-11	SUB-1797-00

THIS DOCUMENT CONTAINS PROPRIETARY INFORMATION OF B-K LIGHTING, INC. AND ITS RECEIPT OR POSSESSION DOES NOT CONVEY ANY RIGHTS TO REPRODUCE, DISCLOSE ITS CONTENTS, OR TO MANUFACTURE, USE OR SELL ANYTHING IT MAY DESCRIBE. REPRODUCTION, DISCLOSURE OR USE WITHOUT SPECIFIC WRITTEN AUTHORIZATION OF B-K LIGHTING, INC. IS STRICTLY FORBIDDEN.



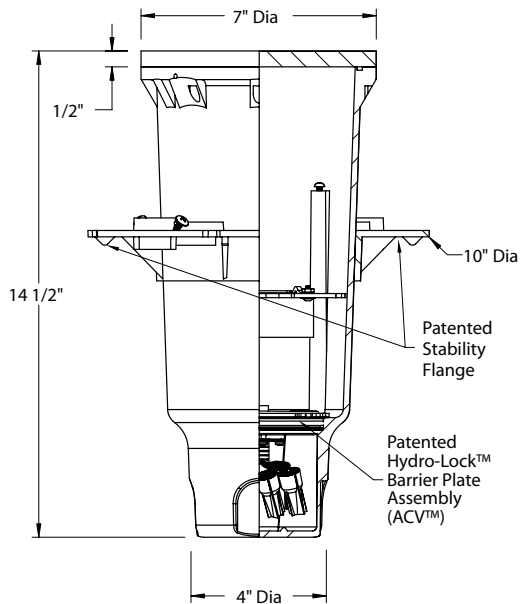
Precision
THE ART OF LIGHTING

In-Grade

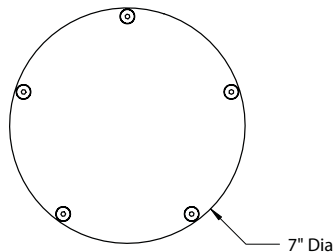
HP²RM™ Remote Ballast

PROJECT:	
TYPE:	

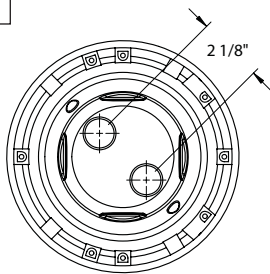
SIDE VIEW



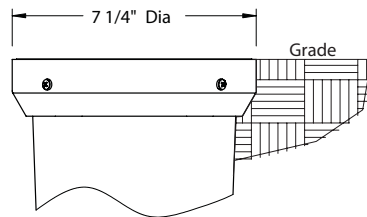
TOP VIEW



BOTTOM VIEW



CPC OPTION



All dimensions indicated on this submittal are nominal. Contact Technical Sales if you require more stringent specifications.

SPECIFICATIONS

GreenSource Initiative™

Metal and packaging components are made from recycled materials. Manufactured using renewable solar energy, produced onsite. Returnable to manufacturer at end of life to ensure cradle-to-cradle handling. Packaging contains no chloro-fluorocarbons (CFC's). RoHS compliant.

Materials

Furnished in Copper-Free Aluminum (Type 6061-T6), Brass (Type 360) or Stainless Steel (Type 304).

Faceplate

Solid, 1/2" machined faceplate with (5) black oxidized, captive, stainless steel mounting screws. Faceplate installs flush to grade.

Housing

Corrosion-free composite, made from high strength, thermo-formed, sheet molded polyester compound. Glass reinforced, flame retardant and UV stabilized. (2) Bottom-Entry, 3/4" NPT female conduit entries with knockout plugs and (4) side flats for 1/2" or 3/4" conduit adapters.

Stability Flange

Patented, corrosion-free composite flange projects into installation sub-strate to reinforce housing stability. Integral REBAR saddles simplify installation onto concrete form. (4) Orthogonal bosses permit use of 1/2" PVC conduit or EMT to simplify vertical position and leveling of housing. Pre-set self-tapping screws anchor housing at proper elevation.

Installation

For direct burial in soil or concrete. Consult Drainage Installation Guide for In-Grade Fixtures (DIG-IT) for compliance with proper soil preparation and drainage requirements prior to installation. For use with remote metal halide fixture (specified separately). Suitable for walk-over and drive-over applications to 35,000 lbs.

Water Management

IP-68 rated, vacuum sealed enclosure. Patented Anti-Condensation Valve (ACV) eliminates condensation from ballast chamber. High temperature silicone 'O' Ring at faceplate. Patented HydroLock technology provides fail safe water barrier between junction box and interior components. Anti-siphon valve (ASV) prevents "wicking" through conductor insulation.

Magnetic Ballast

Class H insulated, integral, high power factor, magnetic ballast. 120V or 277V primary voltage, 60Hz. Integral, removable gear tray with quick disconnect and carrying handle.

Electronic Ballast

High power factor, integral, electronic ballast. Multi-Tap (120/208/240/277V) primary voltage 50/60Hz. H150E available in 120V, or 277V primary voltage. 50/60Hz. Integral, removable gear tray with quick disconnect and carrying handle.

Wiring / Connectors

Teflon coated wire, 18 gauge, 600V, 250°C rated and certified to UL1659 standard. Gear tray quick disconnects. Patented HydroLock with anti-siphon valve (ASV) wireway. (5) Water-tight connectors supplied for branch circuit and lamp connection. Maximum (2) #10 & (1) #18. Minimum (1) #12 & (1) #18 per connector.

Finish

StarGuard (Pat. Pend.), a 15 stage chromate-free process cleans and conversion coats aluminum components prior to application of Class 'A' TGIC polyester powder coating. RoHS compliant.

Warranty

5 year limited warranty.

Listings

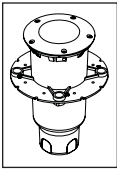
ETL Listed to ANSI/UL Standard 1598 and Certified to CAN/CSA Standard C22.2 No. 250. IP-68 Rated. RoHS compliant. Made in USA.



*Teflon is a registered trademark of DuPont Corporation.

B-K LIGHTING	40429 Brickyard Drive • Madera, CA 93636 • USA 559.438.5800 • FAX 559.438.5900 www.bklighting.com • info@bklighting.com	SUBMITTAL DATE	DRAWING NUMBER
		10-21-11	SUB-1797-00

Precision and its features are covered in whole or in part by U.S. Patent Nos. 7,033,038; 6,254,258 B1; 7,249,867 B2; 7,370,988 B2; 7,553,042; 7,560,148; and 7,699,489

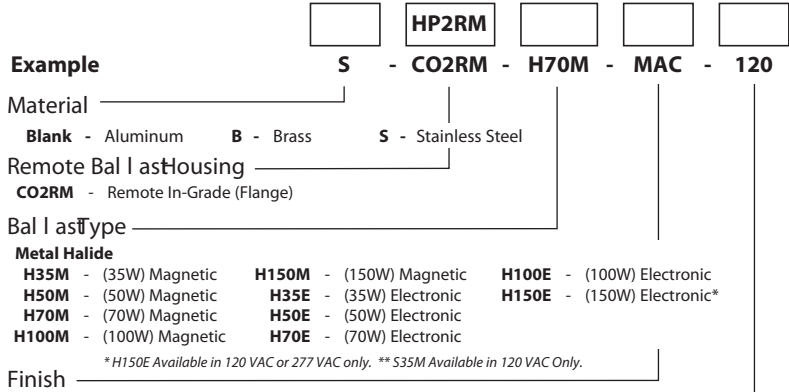


Precision
In-Grade

CO²RM™ Remote Ballast

PROJECT:	
TYPE:	
CATALOG NUMBER:	
SOURCE:	
NOTES:	

CATALOG NUMBER LOGIC



Aluminum & Brass Faceplates			Brass Faceplates		Premium Finish	
Powder Coat Color	Satin	Wrinkle	Machined	MAC	ABP	HUG
Bronze	BZP	BZW	Polished	POL	AMG	MDS
Black	BLP	BLW	Mitique™	MIT	AQW	NBP
White (Gloss)	WHP	WHW	Stainless Faceplates		BCM	OCP
Aluminum	SAP	—	Machined	MAC	BGE	RMG
Verde	—	VER	Polished	POL	BPP	SDS
			Brushed	BRU <small>Interior use only.</small>	CAP	SMG
			<small>Also available in RAL Finishes See submittal SUB-1439-00</small>		CMG	TXF
					CRI	WCP
					CRM	WIR

⚠ REMOTE WIRING

Remote ballast installations require interconnected wiring between the lamp and ballast (by others) and have specific wiring requirements between these components. Ballast manufacturers regularly recommend the following wiring details for such installations.

Electronic Ballast

- 1 Foot Minimum and 15 Foot Maximum Remote Wire Length (Ballast to Lamp Socket).
- Lamp leads must be run in a separate, dedicated metal conduit.
- Lamp leads must be 18 gauge, wire type SF-2 or SFF-2.
- Lamp leads must be placed in a minimum 1/2" internal diameter conduit, pipe, or flexible conduit.
- The use of metal clad cable assemblies or service power cords (SJ, SO, etc.) is prohibited.

Magnetic Ballast

- 35 Watt = 15 Foot Minimum and 50 Foot Maximum Remote Wire Length (Ballast to Lamp Socket).
- >35 Watt = 1 Foot Minimum and 50 Foot Maximum Remote Wire Length (Ballast to Lamp Socket).

Please consult the factory through your local B-K Lighting Sales Representative prior to finalizing any installation detail utilizing remote ballast wiring.

Failure to comply with specific wiring requirements will void product warranty.

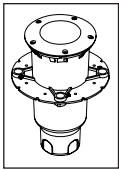
BALLAST ELECTRICAL DATA

BALLAST	TYPE	INPUT VOLTS	INPUT WATTS	INPUT CURRENT	CIRCUIT TYPE	MINIMUM START TEMPERATURE	REMOTE BALLAST WIRE LENGTH
H35M	Magnetic	120	53	1.10	HX-HPF	-20° F	15' Min - 50' Max.
H35M	Magnetic	277	56	0.40	HX-HPF	-20° F	15' Min - 50' Max.
H50M	Magnetic	120	72	1.00	HX-HPF	-20° F	1' Min - 50' Max.
H50M	Magnetic	277	72	0.50	HX-HPF	-20° F	1' Min - 50' Max.
H70M	Magnetic	120	90	1.90	HX-HPF	-20° F	1' Min - 50' Max.
H70M	Magnetic	277	90	0.80	HX-HPF	-20° F	1' Min - 50' Max.
H100M	Magnetic	120	129	1.50	HX-HPF	-22° F	1' Min - 50' Max.
H100M	Magnetic	277	118	0.35	HX-HPF	-22° F	1' Min - 50' Max.
H150M	Magnetic	120	185	1.90	HX-HPF	-22° F	1' Min - 50' Max.
H150M	Magnetic	277	173	0.75	HX-HPF	-22° F	1' Min - 50' Max.
H35E*	Electronic	120	44	0.39	HPF	-5° F	1' Min - 15' Max.
H35E*	Electronic	277	44	0.17	HPF	-5° F	1' Min - 15' Max.
H50E*	Electronic	120	58	0.49	HPF	-5° F	1' Min - 15' Max.
H50E*	Electronic	277	58	0.21	HPF	-5° F	1' Min - 15' Max.
H70E*	Electronic	120	79	0.67	HPF	-5° F	1' Min - 15' Max.
H70E*	Electronic	277	79	0.29	HPF	-5° F	1' Min - 15' Max.
H100E*	Electronic	120	110	0.90	HPF	-5° F	1' Min - 15' Max.
H100E*	Electronic	277	110	0.41	HPF	-5° F	1' Min - 15' Max.
H150E*	Electronic	120	167	1.40	HPF	-22° F	1' Min - 15' Max.
H150E*	Electronic	277	167	0.61	HPF	-22° F	1' Min - 15' Max.

*Ballast Manufacture's requirement: Wire used must only be 18 gauge, SF2 or SFF2, and be in a dedicated metal conduit of 1/2" I.D. Minimum, per lamp.

B-K LIGHTING	40429 Brickyard Drive • Madera, CA 93636 • USA 559.438.5800 • FAX 559.438.5900 www.bklighting.com • info@bklighting.com	SUBMITTAL DATE 10-21-11	DRAWING NUMBER SUB-1798-00
---------------------	---	----------------------------	-------------------------------

THIS DOCUMENT CONTAINS PROPRIETARY INFORMATION OF B-K LIGHTING, INC. AND ITS RECEIPT OR POSSESSION DOES NOT CONVEY ANY RIGHTS TO REPRODUCE, DISCLOSE ITS CONTENTS, OR TO MANUFACTURE, USE OR SELL ANYTHING IT MAY DESCRIBE. REPRODUCTION, DISCLOSURE OR USE WITHOUT SPECIFIC WRITTEN AUTHORIZATION OF B-K LIGHTING, INC. IS STRICTLY FORBIDDEN.



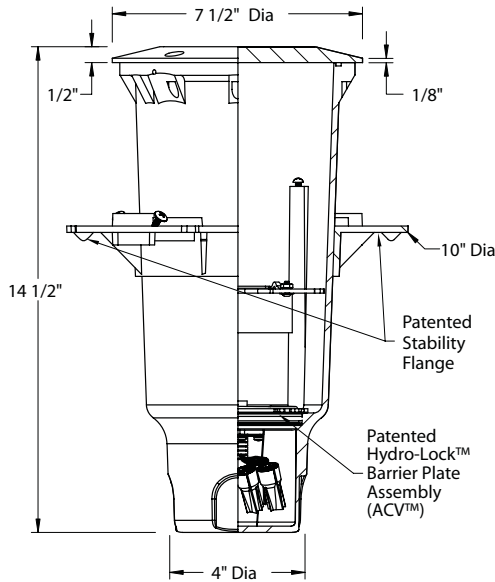
Precision
THE ART OF LIGHTING

In-Grade

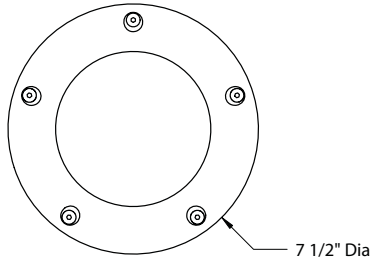
CO²RM™ Remote Ballast

PROJECT:	
TYPE:	

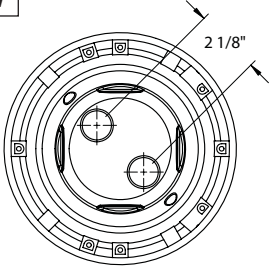
SIDE VIEW



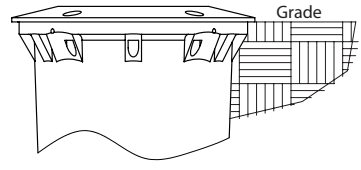
TOP VIEW



BOTTOM VIEW



INSTALLATION DETAIL



All dimensions indicated on this submittal are nominal. Contact Technical Sales if you require more stringent specifications.

SPECIFICATIONS

GreenSource Initiative™
 Metal and packaging components are made from recycled materials. Manufactured using renewable solar energy, produced onsite. Returnable to manufacturer at end of life to ensure cradle-to-cradle handling. Packaging contains no chloro-fluorocarbons (CFC's). RoHS compliant.

Materials
 Furnished in Copper-Free Aluminum (Type 6061-T6), Brass (Type 360) or Stainless Steel (Type 304).

Faceplate
 Solid, 1/2" machined faceplate with (5) black oxidized, captive, stainless steel mounting screws. 1/4" continuous flange conceals seam between housing and landscape material. Faceplate installs above grade. ADA compliant.

Housing
 Corrosion-free composite, made from high strength, thermo-formed, sheet molded polyester compound. Glass reinforced, flame retardant and UV stabilized. (2) Bottom-Entry, 3/4" NPT female conduit entries with knockout plugs and (4) side flats for 1/2" or 3/4" conduit adapters.

Stability Flange
 Patented, corrosion-free composite flange projects into installation sub-strate to reinforce housing stability. Integral REBAR saddles simplify installation onto concrete form. (4) Orthogonal bosses permit use of 1/2" PVC conduit or EMT to simplify vertical position and leveling of housing. Pre-set self-tapping screws anchor housing at proper elevation.

Installation
 For direct burial in soil or concrete. Consult Drainage Installation Guide for In-Grade Fixtures (DIG-IT) for compliance with proper soil preparation and drainage requirements prior to installation. For use with remote metal halide fixture (specified separately). Suitable for walk-over and drive-over applications to 35,000 lbs.

Water Management
 IP-68 rated, vacuum sealed enclosure. Patented Anti-Condensation Valve (ACV) eliminates condensation from ballast chamber. High temperature silicone 'O' Ring at faceplate. Patented HydroLock technology provides fail safe water barrier between junction box and interior components. Anti-siphon valve (ASV) prevents "wicking" through conductor insulation.

Magnetic Ballast
 Class H insulated, integral, high power factor, magnetic ballast. 120V or 277V primary voltage, 60Hz. Integral, removable gear tray with quick disconnect and carrying handle.

Electronic Ballast
 High power factor, integral, electronic ballast. Multi-Tap (120/208/240/277V) primary voltage 50/60Hz. H150E available in 120V, or 277V primary voltage. 50/60Hz. Integral, removable gear tray with quick disconnect and carrying handle.

Wiring / Connectors
 Teflon coated wire, 18 gauge, 600V, 250°C rated and certified to UL1659 standard. Gear tray quick disconnects. Patented HydroLock with anti-siphon valve (ASV) wireway. (5) Water-tight connectors supplied for branch circuit and lamp connection. Maximum (2) #10 & (1) #18. Minimum (1) #12 & (1) #18 per connector.

Finish
 StarGuard (Pat. Pend.), a 15 stage chromate-free process cleans and conversion coats aluminum components prior to application of Class 'A' TGIC polyester powder coating. RoHS compliant.

Warranty
 5 year limited warranty.

Listings
 ETL Listed to ANSI/UL Standard 1598 and Certified to CAN/CSA Standard C22.2 No. 250. IP-68 Rated. RoHS compliant. Made in USA.



*Teflon is a registered trademark of DuPont Corporation.

B-K LIGHTING	40429 Brickyard Drive • Madera, CA 93636 • USA 559.438.5800 • FAX 559.438.5900 www.bklighting.com • info@bklighting.com	SUBMITTAL DATE 10-21-11	DRAWING NUMBER SUB-1798-00
	Precision and its features are covered in whole or in part by U.S. Patent Nos. 7,033,038; 6,254,258 B1; 7,249,867 B2; 7,370,988 B2; 7,553,042; 7,560,148; and 7,699,489		

CATALOG NUMBER LOGIC

(Add to Fixture Catalog Number)

EXAMPLE: TSB - 35 - E - 48"

Series:

TSB

Wattage:

- 35 - 35 Watt Ballast
- 70 - 70 Watt Ballast
- 100 - 100 Watt Ballast

Ballast Type:

E - Electronic Multi Tap 120/208/240/277

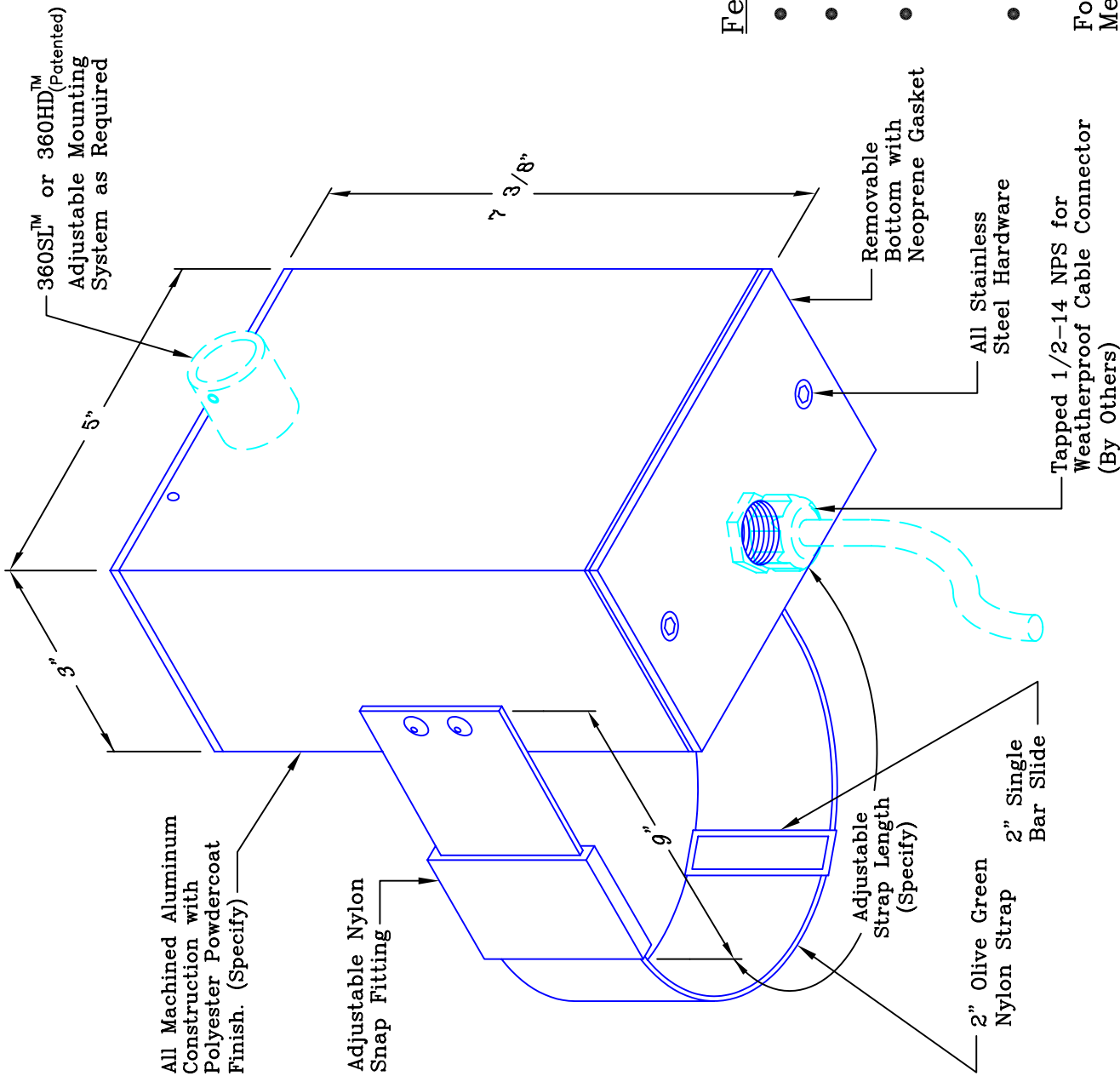
Adjustable Strap Length:

3" Minimum

Features:

- All Precision Machined Aluminum Housing, with Stainless Steel Hardware.
- 360SL™ or 360HD™ (Patented) Adjustable Mounting System, Allows Rotational Adjustment with O-Ring Seal and Tamperproof Design.
- 35W, 70W, or 100W, Multi Tap 120V/208V/240V/277V Input, High Power Factor Electronic Metal Halide Ballast. (Specify)
- (100W Ballasts for use with K2™ Series Fixtures Only)

For Use With EV™, SE™, K2™, YO™, or SU™ Series Metal Halide Fixtures.

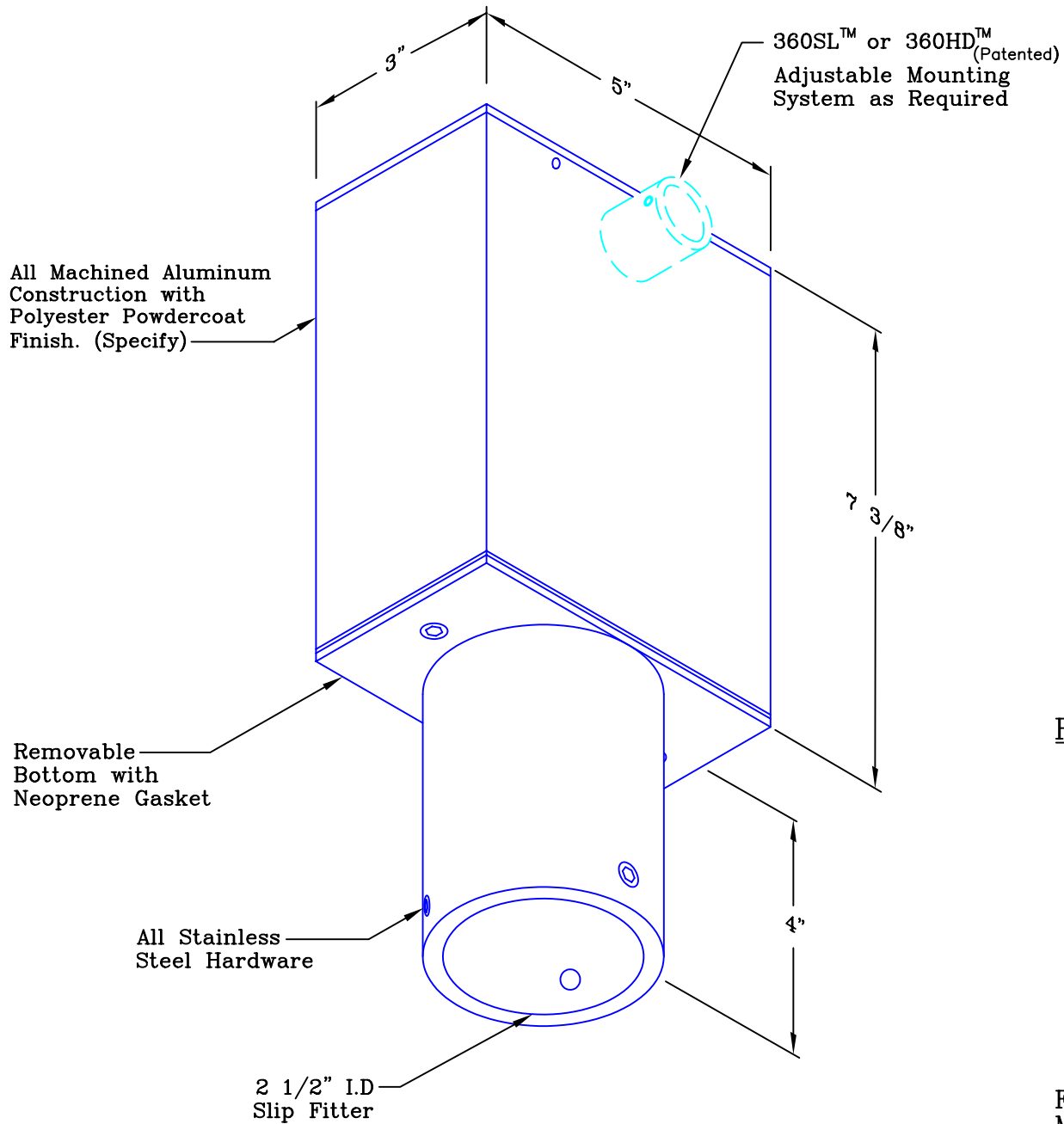


TREE STRAP™ ELECTRONIC BALLAST

4/00

B-K LIGHTING, INC.

DRAWING NUMBER
SUB-1156-06



CATALOG NUMBER LOGIC

(Add to Fixture Catalog Number)

EXAMPLE: TMB - 70 - E

Series:

TMB

Wattage:

- 35 - 35 Watt Ballast
- 70 - 70 Watt Ballast
- 100 - 100 Watt Ballast

Ballast Type:

E - Electronic Multi Tap 120/208/240/277

Features:

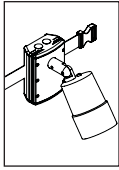
- All Precision Machined Aluminum Housing, with Stainless Steel Hardware.
- 360SL™ or 360HD™ (Patented) Adjustable Mounting System, Allows Rotational Adjustment with O-Ring Seal and Tamperproof Design.
- 35W, 70W, or 100W, Multi Tap 120V/208V/240V/277V Input, High Power Factor Electronic Metal Halide Ballast. (Specify)
- (100W Ballasts for use with K2™ Series Fixtures Only)

For Use With EV™, SE™, K2™, YO™, or SU™ Series Metal Halide Fixtures.

TMB
For Mounting To
2" IPS (2 3/8" O.D.)
Tenon



TENON MOUNT ELECTRONIC BALLAST™		
12/97	B-K LIGHTING, INC.	DRAWING NUMBER SUB-1181-04



Metal Halide

PM3 TREE STRAP™

PROJECT:	
TYPE:	
CATALOG NUMBER:	
LAMP(S):	
NOTES:	

CATALOG NUMBER LOGIC



Example

PM3 - TSC-18 - H150E - 1 - 277 -

Series

PM3 - Universal Power Module™ 3
(specify fixture separately)

Mounting

TSC - Length - Tree Strap™ (Specify Adjustable Strap Length)
Minimum 3" Adjustable Strap with Safety Cable (Standard)

Ballast Type

- H20E - 20W Electronic Metal Halide Ballast*
 - H35E - 35W Electronic Metal Halide Ballast
 - H70E - 70W Electronic Metal Halide Ballast
 - H100E - 100W Electronic Metal Halide Ballast
 - H150E - 150W Electronic Metal Halide Ballast*
- *H20E & H150E available in 120 VAC or 277 VAC only*

Fixture Position

- 1 - Offset
- 2 - Center

Input Voltage

- 120 - 120 VAC Input*
 - 277 - 277 VAC Input*
 - MT - 120/208/240/277 Volt Multi Tap (Electronic Ballast)
- *H20E & H150E available in 120 VAC or 277 VAC only*

Options

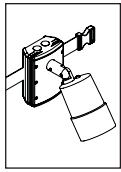
- MB - Mounting Brackets

BALLAST ELECTRICAL DATA

BALLAST	TYPE	INPUT VOLTS	INPUT WATTS	INPUT CURRENT	CIRCUIT TYPE	MINIMUM START TEMPERATURE
H20E	Electronic	120	22	0.20	HPF	-5° F
H20E	Electronic	277	22	0.09	HPF	-5° F
H35E	Electronic	120	44	0.39	HPF	-5° F
H35E	Electronic	277	44	0.17	HPF	-5° F
H70E	Electronic	120	79	0.67	HPF	-5° F
H70E	Electronic	277	79	0.29	HPF	-5° F
H100E	Electronic	120	110	0.90	HPF	-5° F
H100E	Electronic	277	110	0.41	HPF	-5° F
H150E	Electronic	120	167	1.40	HPF	-22° F
H150E	Electronic	277	167	0.61	HPF	-22° F

B-K LIGHTING	40429 Brickyard Drive • Madera, CA 93636 • USA	SUBMITTAL DATE	DRAWING NUMBER
	559.438.5800 • FAX 559.438.5900 www.bklighting.com • info@bklighting.com	2-8-11	SUB-1421-00

THIS DOCUMENT CONTAINS PROPRIETARY INFORMATION OF B-K LIGHTING, INC. AND ITS RECEIPT OR POSSESSION DOES NOT CONVEY ANY RIGHTS TO REPRODUCE, DISCLOSE ITS CONTENTS, OR TO MANUFACTURE, USE OR SELL ANYTHING IT MAY DESCRIBE. REPRODUCTION, DISCLOSURE OR USE WITHOUT SPECIFIC WRITTEN AUTHORIZATION OF B-K LIGHTING, INC. IS STRICTLY FORBIDDEN.



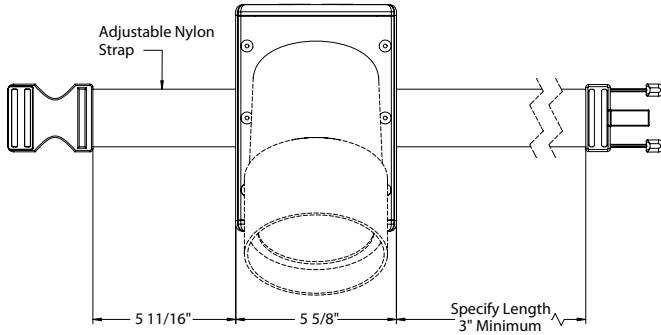
UNIVERSAL POWER MODULE
UPM

Metal Halide

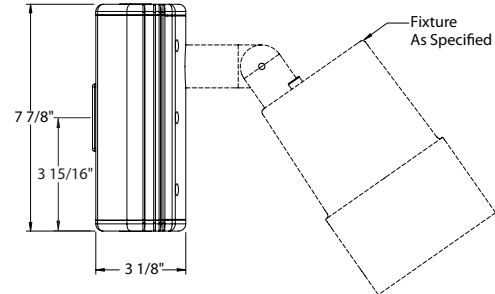
PM3 TREE STRAP™

PROJECT:	
TYPE:	

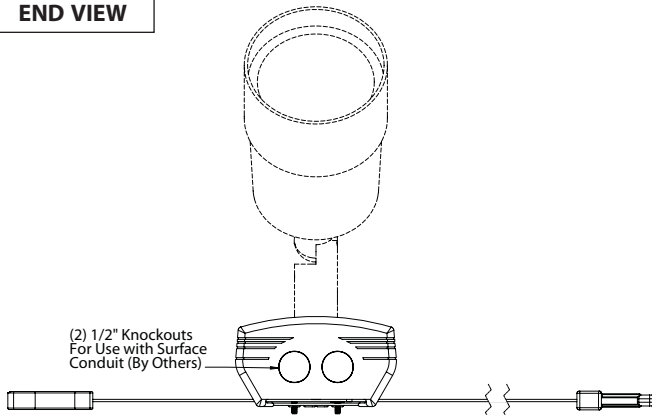
TOP VIEW



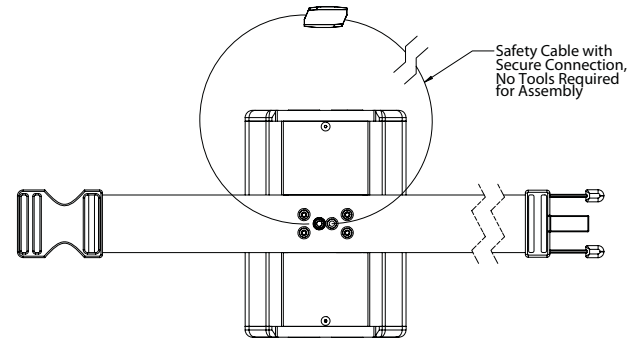
SIDE VIEW



END VIEW



SAFETY CABLE



SPECIFICATIONS

GreenSource Initiative™

Metal and packaging components are made from recycled materials. Manufactured using renewable solar energy, produced onsite. Returnable to manufacturer at end of life to ensure cradle-to-cradle handling. Packaging contains no chloro-fluorocarbons (CFC's). RoHs compliant.

Installation

Universal design accommodates a single metal halide fixture (specified separately) and permits water-tight installation in four distinct mounting conditions:

Tree Installation

Tree Strap™ mounting system facilitates non-invasive installation. Adjustable nylon strap is mold and mildew resistant and will not hinder tree growth. Stainless steel safety cable maintains UPM mounting when nylon strap is disengaged.

Housing

Copper free, aluminum extrusion with die cast end caps. Surface mounted with flow through back channel to prevent water and debris collection. Machined aluminum cover with countersunk holes for flush hardware installation. Specify offset or center fixture position. Tamper-resistant, captive, black oxide stainless steel mounting screws. Front access for ease of installation and inspection. [2] 1/2" NPT female conduit entries per end cap for through wiring.

Installation Tether

Stainless steel cable with integral loop allows cover to temporarily suspend from housing during installation to simplify wire connection and component attachment.

Patented Knockouts

[4] 3/4" NPT, machined aluminum knockouts. High temperature, silicone 'O' Ring for water-tight seal. Patented design allows knockout to be reinserted without compromising seal integrity.

Ballast

[1] 20-150 watt, integral, high power factor, electronic metal halide ballast. Multi-Tap (120/208/240/277V) primary voltage 50/60Hz. H20E & H150E available in 120V, or 277V primary voltage. 50/60Hz.

Finish

StarGuard® (Pat. Pend.), a 15 stage chromate-free process cleans and conversion coats aluminum components prior to application of Class 'A' TGIC polyester powder coating. RoHs compliant. Finish to match fixture.

Warranty

5 year limited warranty.

Listings

NEMA 4X / IP-66 Rated Enclosure. ETL Listed to ANSI/UL Standard 50/50E and Certified to CAN/CSA Standard C22.2 No. 94.1/94.2. RoHs compliant. Made in USA.

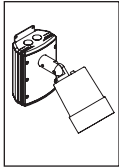


B-K LIGHTING

40429 Brickyard Drive • Madera, CA 93636 • USA
559.438.5800 • FAX 559.438.5900
www.bklighting.com • info@bklighting.com

SUBMITTAL DATE
2-8-11

DRAWING NUMBER
SUB-1421-00

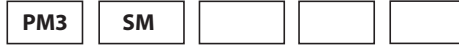


Metal Halide

PM3 SURFACE MOUNT

PROJECT:	
TYPE:	
CATALOG NUMBER:	
LAMP(S):	
NOTES:	

CATALOG NUMBER LOGIC



Example

PM3 - SM - H100E - 1 - 277

Series

PM3 - Universal Power Module™ 3
(specify fixture separately)

Mounting

SM - Surface Mount (requires side conduit entry)

Ballast Type

- H20E** - 20W Electronic Metal Halide Ballast*
 - H35E** - 35W Electronic Metal Halide Ballast
 - H70E** - 70W Electronic Metal Halide Ballast
 - H100E** - 100W Electronic Metal Halide Ballast
 - H150E** - 150W Electronic Metal Halide Ballast*
- *H20E & H150E available in 120 VAC or 277 VAC only*

Fixture Position

- 1** - Offset
- 2** - Center

Input Voltage

- 120** - 120 VAC Input*
 - 277** - 277 VAC Input*
 - MT** - 120/208/240/277 Volt Multi Tap (Electronic Ballast)
- *H20E & H150E available in 120 VAC or 277 VAC only*

BALLAST ELECTRICAL DATA

BALLAST	TYPE	INPUT VOLTS	INPUT WATTS	INPUT CURRENT	CIRCUIT TYPE	MINIMUM START TEMPERATURE
H20E	Electronic	120	22	0.20	HPF	-5° F
H20E	Electronic	277	22	0.09	HPF	-5° F
H35E	Electronic	120	44	0.39	HPF	-5° F
H35E	Electronic	277	44	0.17	HPF	-5° F
H70E	Electronic	120	79	0.67	HPF	-5° F
H70E	Electronic	277	79	0.29	HPF	-5° F
H100E	Electronic	120	110	0.90	HPF	-5° F
H100E	Electronic	277	110	0.41	HPF	-5° F
H150E	Electronic	120	167	1.40	HPF	-22° F
H150E	Electronic	277	167	0.61	HPF	-22° F

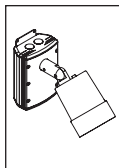
B-K LIGHTING

40429 Brickyard Drive • Madera, CA 93636 • USA
559.438.5800 • FAX 559.438.5900
www.bklighting.com • info@bklighting.com

SUBMITTAL DATE
2-8-11

DRAWING NUMBER
SUB-1505-00

THIS DOCUMENT CONTAINS PROPRIETARY INFORMATION OF B-K LIGHTING, INC. AND ITS RECEIPT OR POSSESSION DOES NOT CONVEY ANY RIGHTS TO REPRODUCE, DISCLOSE ITS CONTENTS, OR TO MANUFACTURE, USE OR SELL ANYTHING IT MAY DESCRIBE. REPRODUCTION, DISCLOSURE OR USE WITHOUT SPECIFIC WRITTEN AUTHORIZATION OF B-K LIGHTING, INC. IS STRICTLY FORBIDDEN.



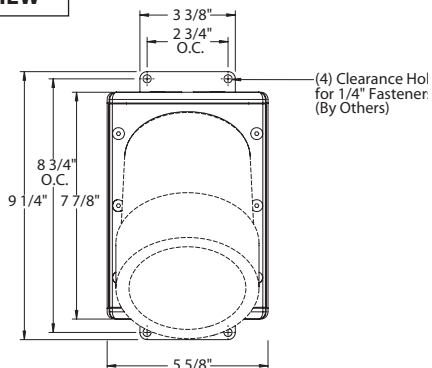
UNIVERSAL POWER MODULE
UPM

Metal Halide

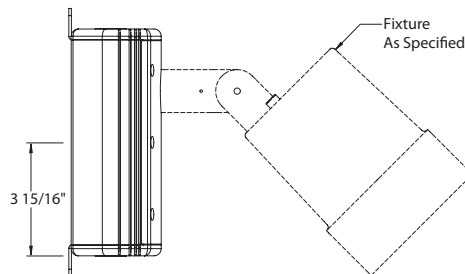
PM3 SURFACE MOUNT

PROJECT:	
TYPE:	

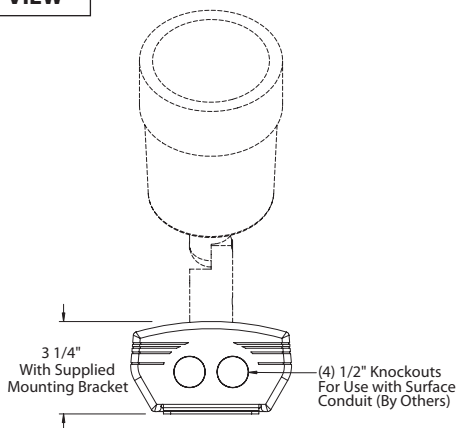
TOP VIEW



SIDE VIEW



END VIEW



SPECIFICATIONS

GreenSource Initiative™

Metal and packaging components are made from recycled materials. Manufactured using renewable solar energy, produced onsite. Returnable to manufacturer at end of life to ensure cradle-to-cradle handling. Packaging contains no chloro-fluorocarbons (CFC's). RoHs compliant.

Installation

Universal design accommodates a single metal halide fixture (specified separately) and permits water-tight installation in four distinct mounting conditions:

Surface Mount

For use with side entry, surface conduits. Stainless steel mounting brackets provide for direct anchor to architectural surfaces in any orientation.

Housing

Copper free, aluminum extrusion with die cast end caps. Surface mounted with flow through back channel to prevent water and debris collection. Machined aluminum cover with countersunk holes for flush hardware installation. Specify offset or center fixture position. Tamper-resistant, captive, black oxide stainless steel mounting screws. Front access for ease of installation and inspection. [2] 1/2" NPT female conduit entries per end cap for through wiring.

Installation Tether

Stainless steel cable with integral loop allows cover to temporarily suspend from housing during installation to simplify wire connection and component attachment.

Patented Knockouts

[4] 3/4" NPT, machined aluminum knockouts. High temperature, silicone 'O' Ring for water-tight seal. Patented design allows knockout to be reinserted without compromising seal integrity.

Ballast

[1] 20-150 watt, integral, high power factor, electronic metal halide ballast. Multi-Tap (120/208/240/277V) primary voltage 50/60Hz. H20E & H150E available in 120V, or 277V primary voltage. 50/60Hz.

Finish

StarGuard® (Pat. Pend.), a 15 stage chromate-free process cleans and conversion coats aluminum components prior to application of Class 'A' TGIC polyester powder coating. RoHs compliant. Finish to match fixture.

Warranty

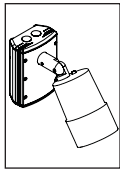
5 year limited warranty.

Listings

NEMA 4X / IP-66 Rated Enclosure. ETL Listed to ANSI/UL Standard 50/50E and Certified to CAN/CSA Standard C22.2 No. 94.1/94.2. RoHs compliant. Made in USA.



B-K LIGHTING	40429 Brickyard Drive • Madera, CA 93636 • USA 559.438.5800 • FAX 559.438.5900 www.bklighting.com • info@bklighting.com	SUBMITTAL DATE 2-8-11	DRAWING NUMBER SUB-1505-00
	UPM's Patented knockouts are covered by U.S. Patent No. 6,940,012 B2		



UNIVERSAL POWER MODULE
UPM

Metal Halide

PM3 JUNCTION BOX (CAMLOCK™)

PROJECT:	
TYPE:	
CATALOG NUMBER:	
LAMP(S):	
NOTES:	

CATALOG NUMBER LOGIC



Example

PM3 - CR - H150E - 1 - 120 -

Series

PM3 - Universal Power Module™ 3
(specify fixture separately)

Mounting

CR - Round CamLock™

Ballast Type

- H20E** - 20W Electronic Metal Halide Ballast*
 - H35E** - 35W Electronic Metal Halide Ballast
 - H70E** - 70W Electronic Metal Halide Ballast
 - H100E** - 100W Electronic Metal Halide Ballast
 - H150E** - 150W Electronic Metal Halide Ballast*
- *H20E & H150E available in 120 VAC or 277 VAC only*

Fixture Position

- 1** - Offset
- 2** - Center

Input Voltage

- 120** - 120 VAC Input*
 - 277** - 277 VAC Input*
 - MT** - 120/208/240/277 Volt Multi Tap (Electronic Ballast)
- *H20E & H150E available in 120 VAC or 277 VAC only*

Options

- MB** - Mounting Brackets

BALLAST ELECTRICAL DATA

BALLAST	TYPE	INPUT VOLTS	INPUT WATTS	INPUT CURRENT	CIRCUIT TYPE	MINIMUM START TEMPERATURE
H20E	Electronic	120	22	0.20	HPF	-5° F
H20E	Electronic	277	22	0.09	HPF	-5° F
H35E	Electronic	120	44	0.39	HPF	-5° F
H35E	Electronic	277	44	0.17	HPF	-5° F
H70E	Electronic	120	79	0.67	HPF	-5° F
H70E	Electronic	277	79	0.29	HPF	-5° F
H100E	Electronic	120	110	0.90	HPF	-5° F
H100E	Electronic	277	110	0.41	HPF	-5° F
H150E	Electronic	120	167	1.40	HPF	-22° F
H150E	Electronic	277	167	0.61	HPF	-22° F

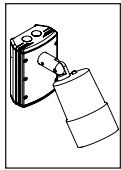
B-K LIGHTING

40429 Brickyard Drive • Madera, CA 93636 • USA
559.438.5800 • FAX 559.438.5900
www.bklighting.com • info@bklighting.com

SUBMITTAL DATE
2-8-11

DRAWING NUMBER
SUB-1420-00

THIS DOCUMENT CONTAINS PROPRIETARY INFORMATION OF B-K LIGHTING, INC. AND ITS RECEIPT OR POSSESSION DOES NOT CONVEY ANY RIGHTS TO REPRODUCE, DISCLOSE ITS CONTENTS, OR TO MANUFACTURE, USE OR SELL ANYTHING IT MAY DESCRIBE. REPRODUCTION, DISCLOSURE OR USE WITHOUT SPECIFIC WRITTEN AUTHORIZATION OF B-K LIGHTING, INC. IS STRICTLY FORBIDDEN.



UNIVERSAL POWER MODULE
UPM

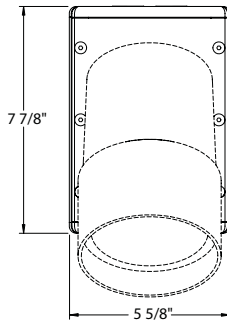
Metal Halide

PM3 JUNCTION BOX (CAMLOCK™)

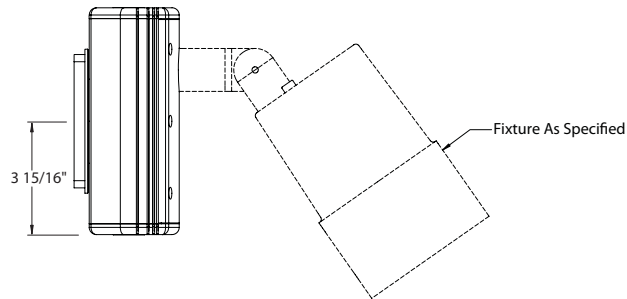
PROJECT:

TYPE:

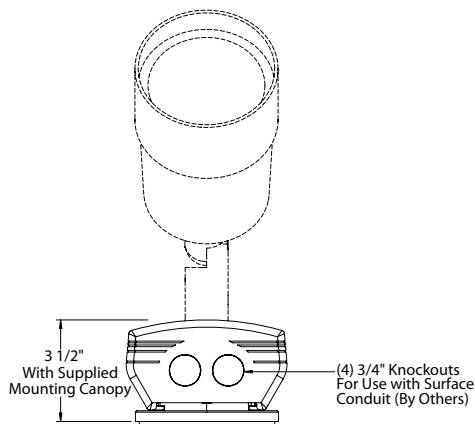
TOP VIEW



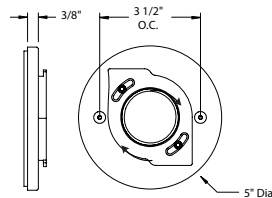
SIDE VIEW



END VIEW



ROUND CAMLOCK™ CANOPY



SPECIFICATIONS

GreenSource Initiative™

Metal and packaging components are made from recycled materials. Manufactured using renewable solar energy, produced onsite. Returnable to manufacturer at end of life to ensure cradle-to-cradle handling. Packaging contains no chloro-fluorocarbons (CFC's). RoHs compliant.

Installation

Universal design accommodates a single metal halide fixture (specified separately) and permits water-tight installation in four distinct mounting conditions:

Round CamLock™ Canopy (Recessed Junction Box)

5" diameter, machined aluminum construction. Includes stainless steel universal mounting ring for use with 4" octagonal junction box. [2] tamper-resistant, black oxide stainless steel mounting screws. 1/8" thick HT-805A silicone foam gasket for water-tight seal. Integral CamLock™ provides additional 30° adjustment for precision alignment of UPM regardless of junction box orientation. Integral wiper seal maintains water-tight integrity between UPM and junction box.

Housing

Copper free, aluminum extrusion with die cast end caps. Surface mounted with flow through back channel to prevent water and debris collection. Machined aluminum cover with countersunk holes for flush hardware installation. Specify offset or center fixture position. Tamper-resistant, captive, black oxide stainless steel mounting screws. Front access for ease of installation and inspection. [2] 1/2" NPT female conduit entries per end cap for through wiring.

Installation Tether

Stainless steel cable with integral loop allows cover to temporarily suspend from housing during installation to simplify wire connection and component attachment.

Patented Knockouts

[4] 3/4" NPT, machined aluminum knockouts. High temperature, silicone 'O' Ring for water-tight seal. Patented design allows knockout to be reinserted without compromising seal integrity.

Ballast

[1] 20-150 watt, integral, high power factor, electronic metal halide ballast. Multi-Tap (120/208/240/277V) primary voltage 50/60Hz. H20E & H150E available in 120V, or 277V primary voltage. 50/60Hz.

Finish

StarGuard® (Pat. Pend.), a 15 stage chromate-free process cleans and conversion coats aluminum components prior to application of Class 'A' TGIC polyester powder coating. RoHs compliant. Finish to match fixture.

Warranty

5 year limited warranty.

Listings

NEMA 4X / IP-66 Rated Enclosure. ETL Listed to ANSI/UL Standard 50/50E and Certified to CAN/CSA Standard C22.2 No. 94.1/94.2. RoHs compliant. Made in USA.

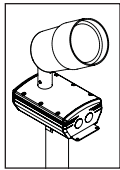


B-K LIGHTING

40429 Brickyard Drive • Madera, CA 93636 • USA
559.438.5800 • FAX 559.438.5900
www.bklighting.com • info@bklighting.com

SUBMITTAL DATE
2-8-11

DRAWING NUMBER
SUB-1420-00



UNIVERSAL POWER MODULE
UPM

Metal Halide

PM3 MONUMENT (POWER PIPE™)

PROJECT:	
TYPE:	
CATALOG NUMBER:	
LAMP(S):	
NOTES:	

CATALOG NUMBER LOGIC



Example

PM3 - MU - H70E - 1 - MT

Series

PM3 - Universal Power Module™ 3
(specify fixture separately)

Mounting

MU - Monument Mount UPM with 18" Power Pipe™

Ballast Type

- H20E** - 20W Electronic Metal Halide Ballast*
 - H35E** - 35W Electronic Metal Halide Ballast
 - H70E** - 70W Electronic Metal Halide Ballast
 - H100E** - 100W Electronic Metal Halide Ballast
 - H150E** - 150W Electronic Metal Halide Ballast*
- *H20E & H150E available in 120 VAC or 277 VAC only*

Fixture Position

- 1** - Offset
- 2** - Center

Input Voltage

- 120** - 120 VAC Input*
 - 277** - 277 VAC Input*
 - MT** - 120/208/240/277 Volt Multi Tap (Electronic Ballast)
- *H20E & H150E available in 120 VAC or 277 VAC only*

BALLAST ELECTRICAL DATA

BALLAST	TYPE	INPUT VOLTS	INPUT WATTS	INPUT CURRENT	CIRCUIT TYPE	MINIMUM START TEMPERATURE
H20E	Electronic	120	22	0.20	HPF	-5° F
H20E	Electronic	277	22	0.09	HPF	-5° F
H35E	Electronic	120	44	0.39	HPF	-5° F
H35E	Electronic	277	44	0.17	HPF	-5° F
H70E	Electronic	120	79	0.67	HPF	-5° F
H70E	Electronic	277	79	0.29	HPF	-5° F
H100E	Electronic	120	110	0.90	HPF	-5° F
H100E	Electronic	277	110	0.41	HPF	-5° F
H150E	Electronic	120	167	1.40	HPF	-22° F
H150E	Electronic	277	167	0.61	HPF	-22° F

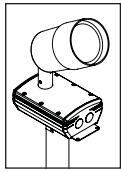
B-K LIGHTING

40429 Brickyard Drive • Madera, CA 93636 • USA
559.438.5800 • FAX 559.438.5900
www.bklighting.com • info@bklighting.com

SUBMITTAL DATE
2-8-11

DRAWING NUMBER
SUB-1422-00

THIS DOCUMENT CONTAINS PROPRIETARY INFORMATION OF B-K LIGHTING, INC. AND ITS RECEIPT OR POSSESSION DOES NOT CONVEY ANY RIGHTS TO REPRODUCE, DISCLOSE ITS CONTENTS, OR TO MANUFACTURE, USE OR SELL ANYTHING IT MAY DESCRIBE. REPRODUCTION, DISCLOSURE OR USE WITHOUT SPECIFIC WRITTEN AUTHORIZATION OF B-K LIGHTING, INC. IS STRICTLY FORBIDDEN.



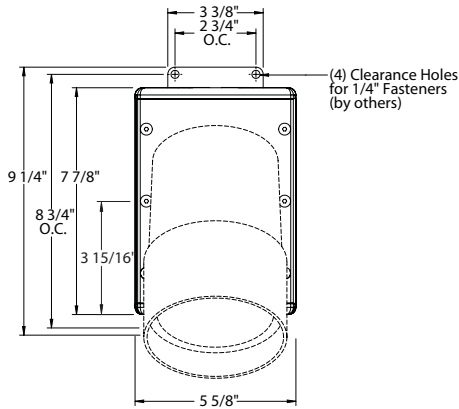
UNIVERSAL POWER MODULE
UPM

Metal Halide

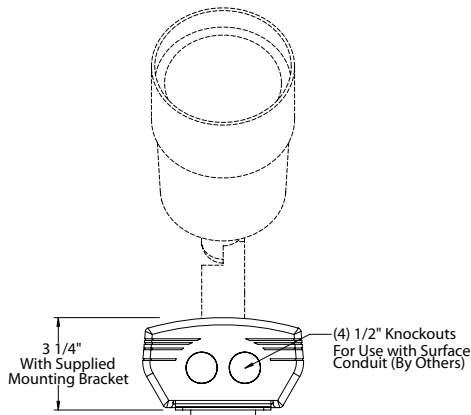
PM3 MONUMENT (POWER PIPE™)

PROJECT:	
TYPE:	

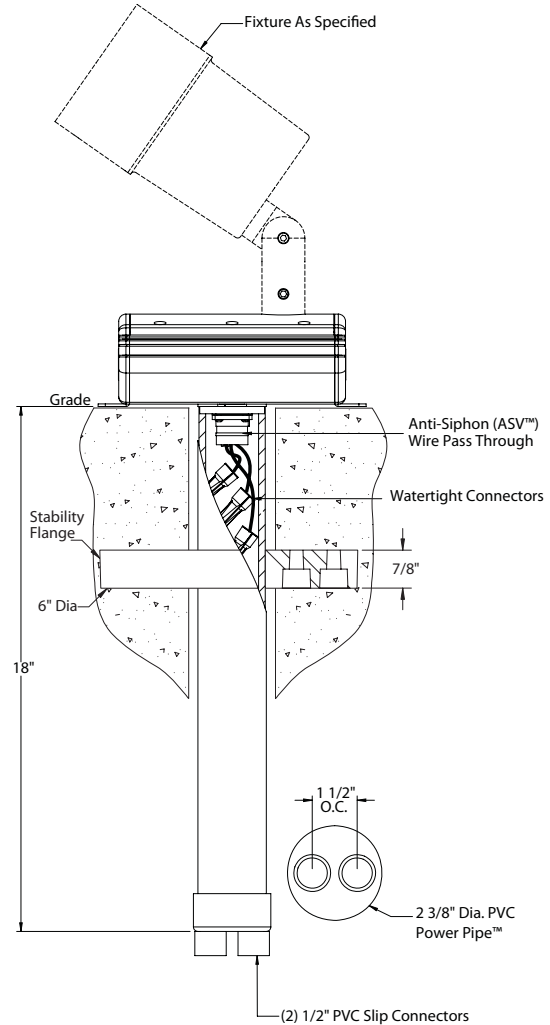
TOP VIEW



END VIEW



SIDE VIEW



SPECIFICATIONS

GreenSource Initiative™

Metal and packaging components are made from recycled materials. Manufactured using renewable solar energy, produced onsite. Returnable to manufacturer at end of life to ensure cradle-to-cradle handling. Packaging contains no chloro-fluorocarbons (CFC's). RoHs compliant.

Installation

Universal design accommodates a single metal halide fixture (specified separately) and permits water-tight installation in four distinct mounting conditions:

Ground / Monument Installation

For use at grade level with integration of Power Pipe™ System, which provides direct burial wireway into concrete or soil. 6" dia., molded stability flange projects into substrate to simplify installation and reinforce housing stability. [2] 1/2" PVC slip connectors for through wiring. Includes stainless steel mounting brackets for additional anchor to architectural surface. Anti-Siphon Valve (ASV™) prevents "wicking" through conductor insulation. [3] Silicone filled wire nuts supplied for water-tight line connection. Maximum (2) #10 & (1) #18. Minimum (1) #12 & (1) #18.

Housing

Copper free, aluminum extrusion with die cast end caps. Surface mounted with flow through back channel to prevent water and debris collection. Machined aluminum cover with countersunk holes for flush hardware installation. Specify offset or center fixture position. Tamper-resistant, captive, black oxide stainless steel mounting screws. Front access for ease of installation and inspection. [2] 1/2" NPT female conduit entries per end cap for through wiring.

Installation Tether

Stainless steel cable with integral loop allows cover to temporarily suspend from housing during installation to simplify wire connection and component attachment.

Patented Knockouts

[4] 3/4" NPT, machined aluminum knockouts. High temperature, silicone 'O' Ring for water-tight seal. Patented design allows knockout to be reinserted without compromising seal integrity.

Ballast

[1] 20-150 watt, integral, high power factor, electronic metal halide ballast. Multi-Tap (120/208/240/277V) primary voltage 50/60Hz. H20E & H150E available in 120V, or 277V primary voltage. 50/60Hz.

Finish

StarGuard® (Pat. Pend.), a 15 stage chromate-free process cleans and conversion coats aluminum components prior to application of Class 'A' TGIC polyester powder coating. RoHs compliant. Finish to match fixture.

Warranty

5 year limited warranty.

Listings

NEMA 4X / IP-66 Rated Enclosure. ETL Listed to ANSI/UL Standard 50/50E and Certified to CAN/CSA Standard C22.2 No. 94.1/94.2. RoHs compliant. Made in USA.

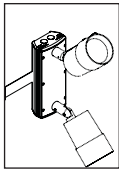


B-K LIGHTING

40429 Brickyard Drive • Madera, CA 93636 • USA
559.438.5800 • FAX 559.438.5900
www.bklighting.com • info@bklighting.com

SUBMITTAL DATE
2-8-11

DRAWING NUMBER
SUB-1422-00



Metal Halide

PM3 DUAL TREE STRAP™

PROJECT:	
TYPE:	
CATALOG NUMBER:	
LAMP(S):	
NOTES:	

CATALOG NUMBER LOGIC



Example

PM3D - TSC-22 - H70E/H70E - MT - MB

Series

PM3D - Universal Power Module™ 3 Dual (specify fixtures separately)

Mounting

TSC - Length - Tree Strap™ (Specify Adjustable Strap Length)
Minimum 3" Adjustable Strap with Safety Cable (Standard)

Ballast Type (2 ballast choices required with PM3D)

- H20E** - 20W Electronic Metal Halide Ballast*
 - H35E** - 35W Electronic Metal Halide Ballast
 - H70E** - 70W Electronic Metal Halide Ballast
 - H100E** - 100W Electronic Metal Halide Ballast
 - H150E** - 150W Electronic Metal Halide Ballast*
- *H20E & H150E available in 120 VAC or 277 VAC only*

Input Voltage

- 120** - 120 VAC Input*
 - 277** - 277 VAC Input*
 - MT** - 120/208/240/277 Volt Multi Tap (Electronic Ballast)
- *H20E & H150E available in 120 VAC or 277 VAC only*

Options

- MB** - Mounting Bracket

BALLAST ELECTRICAL DATA

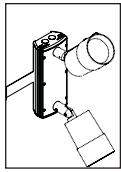
BALLAST	TYPE	INPUT VOLTS	INPUT WATTS	INPUT CURRENT	CIRCUIT TYPE	MINIMUM START TEMPERATURE
H20E	Electronic	120	22	0.20	HPF	-5° F
H20E	Electronic	277	22	0.09	HPF	-5° F
H35E	Electronic	120	44	0.39	HPF	-5° F
H35E	Electronic	277	44	0.17	HPF	-5° F
H70E	Electronic	120	79	0.67	HPF	-5° F
H70E	Electronic	277	79	0.29	HPF	-5° F
H100E	Electronic	120	110	0.90	HPF	-5° F
H100E	Electronic	277	110	0.41	HPF	-5° F
H150E	Electronic	120	167	1.40	HPF	-22° F
H150E	Electronic	277	167	0.61	HPF	-22° F

B-K LIGHTING

40429 Brickyard Drive • Madera, CA 93636 • USA
559.438.5800 • FAX 559.438.5900
www.bklighting.com • info@bklighting.com

SUBMITTAL DATE
2-8-11

DRAWING NUMBER
SUB-1433-00



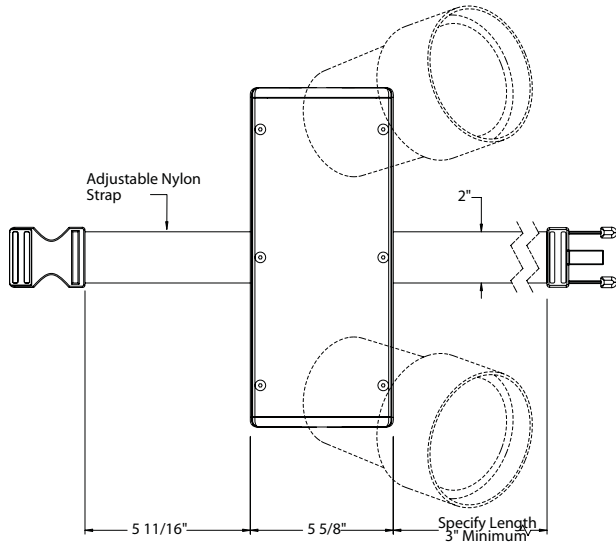
UNIVERSAL POWER MODULE
UPM

Metal Halide

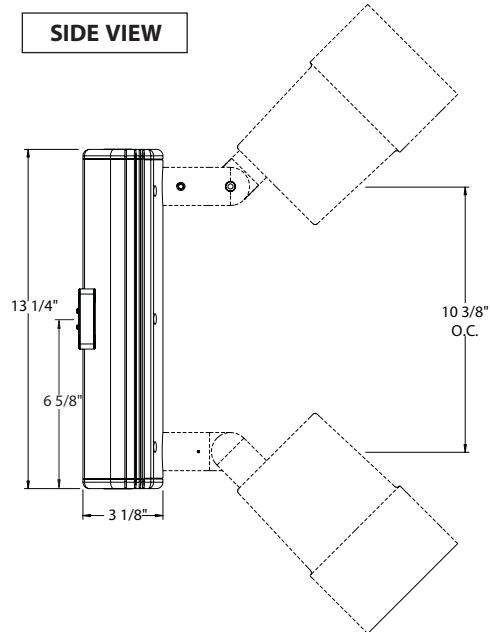
PM3 DUAL TREE STRAP™

PROJECT:	
TYPE:	

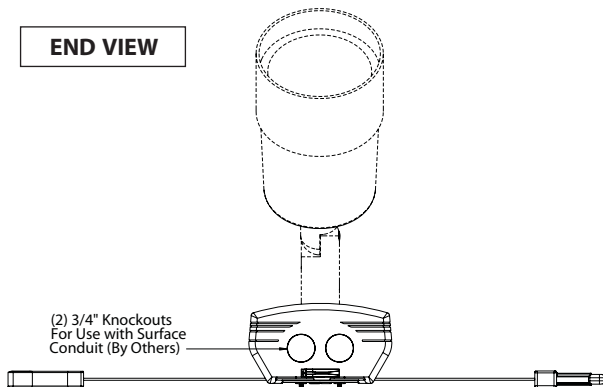
TOP VIEW



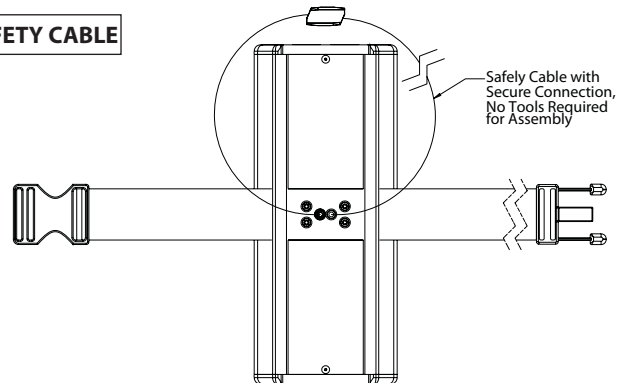
SIDE VIEW



END VIEW



SAFETY CABLE



SPECIFICATIONS

GreenSource Initiative™

Metal and packaging components are made from recycled materials. Manufactured using renewable solar energy, produced onsite. Returnable to manufacturer at end of life to ensure cradle-to-cradle handling. Packaging contains no chlorofluorocarbons (CFC's). RoHs compliant.

Installation

Universal design accommodates twin metal halide fixtures (specified separately) and permits water-tight installation in four distinct mounting conditions:

Tree Installation

Tree Strap™ mounting system facilitates non-invasive installation. Adjustable nylon strap is mold and mildew resistant and will not hinder tree growth. Optional stainless steel safety cable maintains UPM mounting when nylon strap is disengaged.

Housing

Copper free, aluminum extrusion with die cast end caps. Surface mounted with flow through back channel to prevent water and debris collection. Machined aluminum cover with countersunk holes for flush hardware installation. Specify offset or center fixture position. Tamper-resistant, captive, black oxide stainless steel mounting screws. Front access for ease of installation and inspection. [2] 1/2" NPT female conduit entries per end cap for through wiring.

Installation Tether

Stainless steel cable with integral loop allows cover to temporarily suspend from housing during installation to simplify wire connection and component attachment.

Patented Knockouts

[4] 3/4" NPT, machined aluminum knockouts. High temperature, silicone 'O' Ring for water-tight seal. Patented design allows knockout to be reinserted without compromising seal integrity.

Ballast

[2] 20-150 watt, integral, high power factor, electronic metal halide ballasts permit split switching. Multi-Tap (120/208/240/277V) primary voltage 50/60Hz. H20E & H150E available in 120V, or 277V primary voltage. 50/60Hz.

Finish

StarGuard® (Pat. Pend.), a 15 stage chromate-free process cleans and conversion coats aluminum components prior to application of Class 'A' TGIC polyester powder coating. RoHs compliant. Finish to match fixture.

Warranty

5 year limited warranty.

Listings

NEMA 4X / IP-66 Rated Enclosure. ETL Listed to ANSI/UL Standard 50/50E and Certified to CAN/CSA Standard C22.2 No. 94.1/94.2. RoHs compliant. Made in USA.

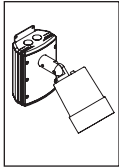


B-K LIGHTING

40429 Brickyard Drive • Madera, CA 93636 • USA
559.438.5800 • FAX 559.438.5900
www.bklighting.com • info@bklighting.com

SUBMITTAL DATE
2-8-11

DRAWING NUMBER
SUB-1433-00



Metal Halide

PM3 SURFACE MOUNT

PROJECT:	
TYPE:	
CATALOG NUMBER:	
LAMP(S):	
NOTES:	

CATALOG NUMBER LOGIC



Example

PM3 - SM - H100E - 1 - 277

Series

PM3 - Universal Power Module™ 3
(specify fixture separately)

Mounting

SM - Surface Mount (requires side conduit entry)

Ballast Type

- H20E** - 20W Electronic Metal Halide Ballast*
 - H35E** - 35W Electronic Metal Halide Ballast
 - H70E** - 70W Electronic Metal Halide Ballast
 - H100E** - 100W Electronic Metal Halide Ballast
 - H150E** - 150W Electronic Metal Halide Ballast*
- *H20E & H150E available in 120 VAC or 277 VAC only*

Fixture Position

- 1** - Offset
- 2** - Center

Input Voltage

- 120** - 120 VAC Input*
 - 277** - 277 VAC Input*
 - MT** - 120/208/240/277 Volt Multi Tap (Electronic Ballast)
- *H20E & H150E available in 120 VAC or 277 VAC only*

BALLAST ELECTRICAL DATA

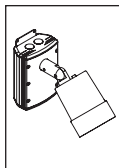
BALLAST	TYPE	INPUT VOLTS	INPUT WATTS	INPUT CURRENT	CIRCUIT TYPE	MINIMUM START TEMPERATURE
H20E	Electronic	120	22	0.20	HPF	-5° F
H20E	Electronic	277	22	0.09	HPF	-5° F
H35E	Electronic	120	44	0.39	HPF	-5° F
H35E	Electronic	277	44	0.17	HPF	-5° F
H70E	Electronic	120	79	0.67	HPF	-5° F
H70E	Electronic	277	79	0.29	HPF	-5° F
H100E	Electronic	120	110	0.90	HPF	-5° F
H100E	Electronic	277	110	0.41	HPF	-5° F
H150E	Electronic	120	167	1.40	HPF	-22° F
H150E	Electronic	277	167	0.61	HPF	-22° F

B-K LIGHTING

40429 Brickyard Drive • Madera, CA 93636 • USA
559.438.5800 • FAX 559.438.5900
www.bklighting.com • info@bklighting.com

SUBMITTAL DATE
2-8-11

DRAWING NUMBER
SUB-1505-00



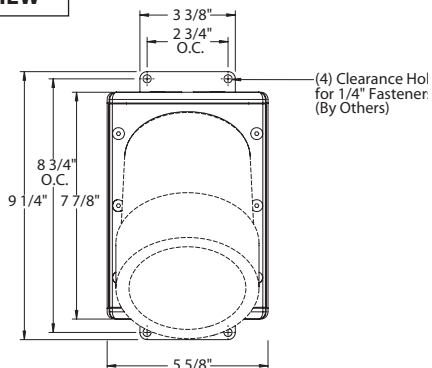
UNIVERSAL POWER MODULE
UPM

Metal Halide

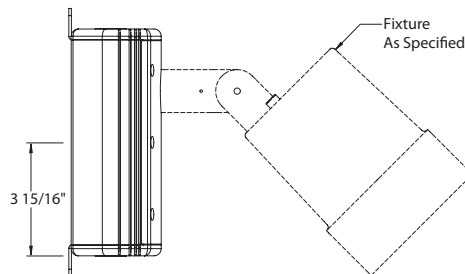
PM3 SURFACE MOUNT

PROJECT:	
TYPE:	

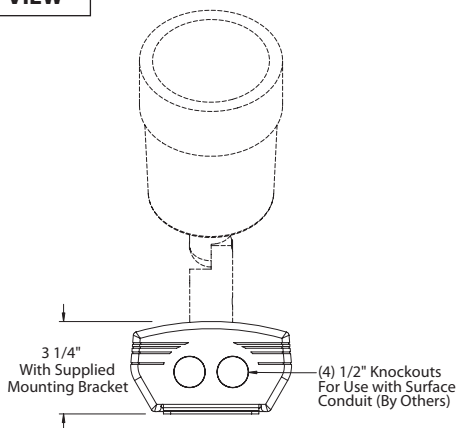
TOP VIEW



SIDE VIEW



END VIEW



SPECIFICATIONS

GreenSource Initiative™

Metal and packaging components are made from recycled materials. Manufactured using renewable solar energy, produced onsite. Returnable to manufacturer at end of life to ensure cradle-to-cradle handling. Packaging contains no chloro-fluorocarbons (CFC's). RoHs compliant.

Installation

Universal design accommodates a single metal halide fixture (specified separately) and permits water-tight installation in four distinct mounting conditions:

Surface Mount

For use with side entry, surface conduits. Stainless steel mounting brackets provide for direct anchor to architectural surfaces in any orientation.

Housing

Copper free, aluminum extrusion with die cast end caps. Surface mounted with flow through back channel to prevent water and debris collection. Machined aluminum cover with countersunk holes for flush hardware installation. Specify offset or center fixture position. Tamper-resistant, captive, black oxide stainless steel mounting screws. Front access for ease of installation and inspection. [2] 1/2" NPT female conduit entries per end cap for through wiring.

Installation Tether

Stainless steel cable with integral loop allows cover to temporarily suspend from housing during installation to simplify wire connection and component attachment.

Patented Knockouts

[4] 3/4" NPT, machined aluminum knockouts. High temperature, silicone 'O' Ring for water-tight seal. Patented design allows knockout to be reinserted without compromising seal integrity.

Ballast

[1] 20-150 watt, integral, high power factor, electronic metal halide ballast. Multi-Tap (120/208/240/277V) primary voltage 50/60Hz. H20E & H150E available in 120V, or 277V primary voltage. 50/60Hz.

Finish

StarGuard® (Pat. Pend.), a 15 stage chromate-free process cleans and conversion coats aluminum components prior to application of Class 'A' TGIC polyester powder coating. RoHs compliant. Finish to match fixture.

Warranty

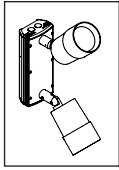
5 year limited warranty.

Listings

NEMA 4X / IP-66 Rated Enclosure. ETL Listed to ANSI/UL Standard 50/50E and Certified to CAN/CSA Standard C22.2 No. 94.1/94.2. RoHs compliant. Made in USA.



B-K LIGHTING	40429 Brickyard Drive • Madera, CA 93636 • USA 559.438.5800 • FAX 559.438.5900 www.bklighting.com • info@bklighting.com	SUBMITTAL DATE 2-8-11	DRAWING NUMBER SUB-1505-00
	UPM's Patented knockouts are covered by U.S. Patent No. 6,940,012 B2		



Metal Halide

PM3 DUAL JUNCTION BOX (CAMLOCK™)

PROJECT:	
TYPE:	
CATALOG NUMBER:	
LAMP(S):	
NOTES:	

CATALOG NUMBER LOGIC



Example

PM3D - CR - H35E/H70E - MT -

Series

PM3D - Universal Power Module™ 3 Dual (specify fixtures separately)

Mounting

CR - Round CamLock™

Ballast Type (2 ballast choices required with PM3D)

- H20E** - 20W Electronic Metal Halide Ballast*
 - H35E** - 35W Electronic Metal Halide Ballast
 - H70E** - 70W Electronic Metal Halide Ballast
 - H100E** - 100W Electronic Metal Halide Ballast
 - H150E** - 150W Electronic Metal Halide Ballast*
- *H20E & H150E available in 120 VAC or 277 VAC only*

Input Voltage

- 120** - 120 VAC Input*
 - 277** - 277 VAC Input*
 - MT** - 120/208/240/277 Volt Multi Tap (Electronic Ballast)
- *H20E & H150E available in 120 VAC or 277 VAC only*

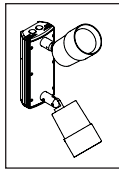
Options

- MB** - Mounting Bracket

BALLAST ELECTRICAL DATA

BALLAST	TYPE	INPUT VOLTS	INPUT WATTS	INPUT CURRENT	CIRCUIT TYPE	MINIMUM START TEMPERATURE
H20E	Electronic	120	22	0.20	HPF	-5° F
H20E	Electronic	277	22	0.09	HPF	-5° F
H35E	Electronic	120	44	0.39	HPF	-5° F
H35E	Electronic	277	44	0.17	HPF	-5° F
H70E	Electronic	120	79	0.67	HPF	-5° F
H70E	Electronic	277	79	0.29	HPF	-5° F
H100E	Electronic	120	110	0.90	HPF	-5° F
H100E	Electronic	277	110	0.41	HPF	-5° F
H150E	Electronic	120	167	1.40	HPF	-22° F
H150E	Electronic	277	167	0.61	HPF	-22° F

B-K LIGHTING	40429 Brickyard Drive • Madera, CA 93636 • USA 559.438.5800 • FAX 559.438.5900 www.bklighting.com • info@bklighting.com	SUBMITTAL DATE 2-8-11	DRAWING NUMBER SUB-1432-00
	<small>THIS DOCUMENT CONTAINS PROPRIETARY INFORMATION OF B-K LIGHTING, INC. AND ITS RECEIPT OR POSSESSION DOES NOT CONVEY ANY RIGHTS TO REPRODUCE, DISCLOSE ITS CONTENTS, OR TO MANUFACTURE, USE OR SELL ANYTHING IT MAY DESCRIBE. REPRODUCTION, DISCLOSURE OR USE WITHOUT SPECIFIC WRITTEN AUTHORIZATION OF B-K LIGHTING, INC. IS STRICTLY FORBIDDEN.</small>		



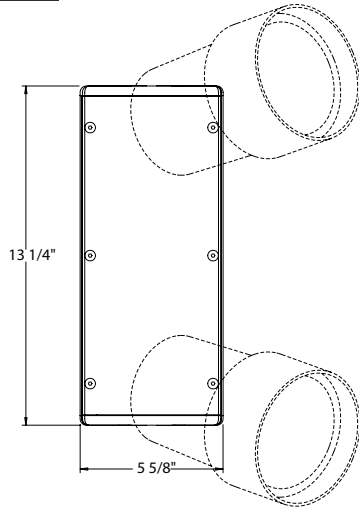
UNIVERSAL POWER MODULE
UPM

Metal Halide

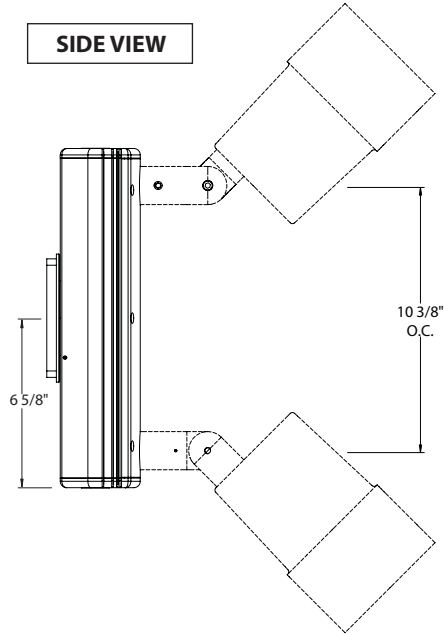
PM3 DUAL JUNCTION BOX (CAMLOCK™)

PROJECT:	
TYPE:	

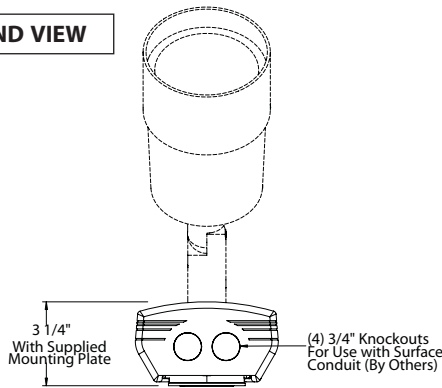
TOP VIEW



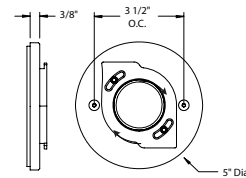
SIDE VIEW



END VIEW



ROUND CAMLOCK™ CANOPY



SPECIFICATIONS

GreenSource Initiative™

Metal and packaging components are made from recycled materials. Manufactured using renewable solar energy, produced onsite. Returnable to manufacturer at end of life to ensure cradle-to-cradle handling. Packaging contains no chloro-fluorocarbons (CFC's). RoHs compliant.

Installation

Universal design accommodates twin metal halide fixtures (specified separately) and permits water-tight installation in four distinct mounting conditions:

Round CamLock™ Canopy (Recessed Junction Box)

5" diameter, machined aluminum construction. Includes stainless steel universal mounting ring for use with 4" octagonal junction box. [2] tamper-resistant, black oxide stainless steel mounting screws. 1/8" thick HT-805A silicone foam gasket for water-tight seal. Integral CamLock™ provides additional 30° adjustment for precision alignment of UPM regardless of junction box orientation. Integral wiper seal maintains water-tight integrity between UPM and junction box. Optional stainless steel mounting brackets may be specified to provide additional anchor to architectural surface.

Housing

Copper free, aluminum extrusion with die cast end caps. Surface mounted with flow through back channel to prevent water and debris collection. Machined aluminum cover with countersunk holes for flush hardware installation. Specify offset or center fixture position. Tamper-resistant, captive, black oxide stainless steel mounting screws. Front access for ease of installation and inspection. [2] 1/2" NPT female conduit entries per end cap for through wiring.

Installation Tether

Stainless steel cable with integral loop allows cover to temporarily suspend from housing during installation to simplify wire connection and component attachment.

Patented Knockouts

[4] 3/4" NPT, machined aluminum knockouts. High temperature, silicone 'O' Ring for water-tight seal. Patented design allows knockout to be reinserted without compromising seal integrity.

Ballast

[2] 20-150 watt, integral, high power factor, electronic metal halide ballasts permit split switching. Multi-Tap (120/208/240/277V) primary voltage 50/60Hz. H20E & H150E available in 120V, or 277V primary voltage. 50/60Hz.

Finish

StarGuard® (Pat. Pend.), a 15 stage chromate-free process cleans and conversion coats aluminum components prior to application of Class 'A' TGIC polyester powder coating. RoHs compliant. Finish to match fixture.

Warranty

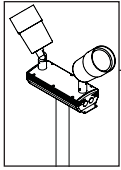
5 year limited warranty.

Listings

NEMA 4X / IP-66 Rated Enclosure. ETL Listed to ANSI/UL Standard 50/50E and Certified to CAN/CSA Standard C22.2 No. 94.1/94.2. RoHs compliant. Made in USA.



B-K LIGHTING	40429 Brickyard Drive • Madera, CA 93636 • USA 559.438.5800 • FAX 559.438.5900 www.bklighting.com • info@bklighting.com	SUBMITTAL DATE 2-8-11	DRAWING NUMBER SUB-1432-00
	<p>UPM's Patented knockouts are covered by U.S. Patent No. 6,940,012 B2</p>		

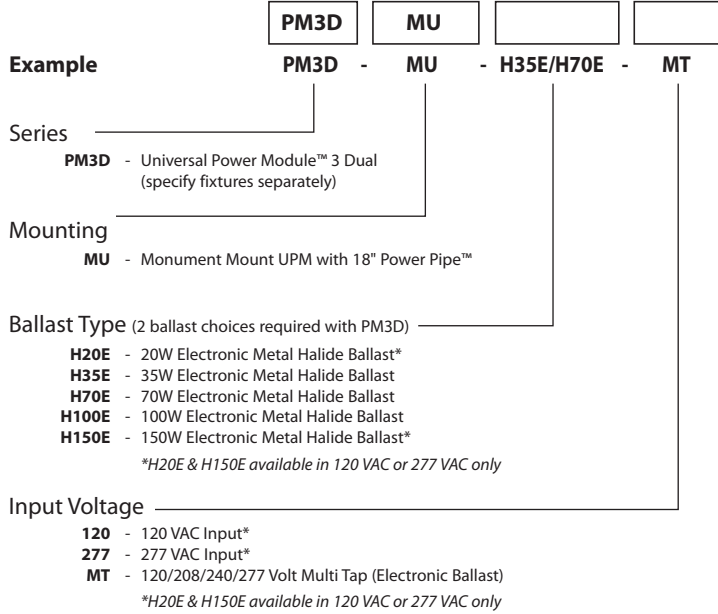


Metal Halide

PM3 DUAL MONUMENT (POWER PIPE™)

PROJECT:	
TYPE:	
CATALOG NUMBER:	
LAMP(S):	
NOTES:	

CATALOG NUMBER LOGIC



BALLAST ELECTRICAL DATA

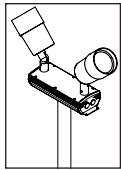
BALLAST	TYPE	INPUT VOLTS	INPUT WATTS	INPUT CURRENT	CIRCUIT TYPE	MINIMUM START TEMPERATURE
H20E	Electronic	120	22	0.20	HPF	-5° F
H20E	Electronic	277	22	0.09	HPF	-5° F
H35E	Electronic	120	44	0.39	HPF	-5° F
H35E	Electronic	277	44	0.17	HPF	-5° F
H70E	Electronic	120	79	0.67	HPF	-5° F
H70E	Electronic	277	79	0.29	HPF	-5° F
H100E	Electronic	120	110	0.90	HPF	-5° F
H100E	Electronic	277	110	0.41	HPF	-5° F
H150E	Electronic	120	167	1.40	HPF	-22° F
H150E	Electronic	277	167	0.61	HPF	-22° F

B-K LIGHTING

40429 Brickyard Drive • Madera, CA 93636 • USA
 559.438.5800 • FAX 559.438.5900
 www.bklighting.com • info@bklighting.com

SUBMITTAL DATE
2-8-11

DRAWING NUMBER
SUB-1434-00



UNIVERSAL POWER MODULE
UPM

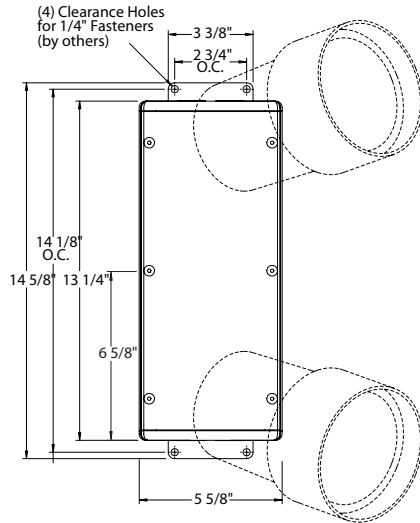
Metal Halide

PM3 DUAL MONUMENT (POWER PIPE™)

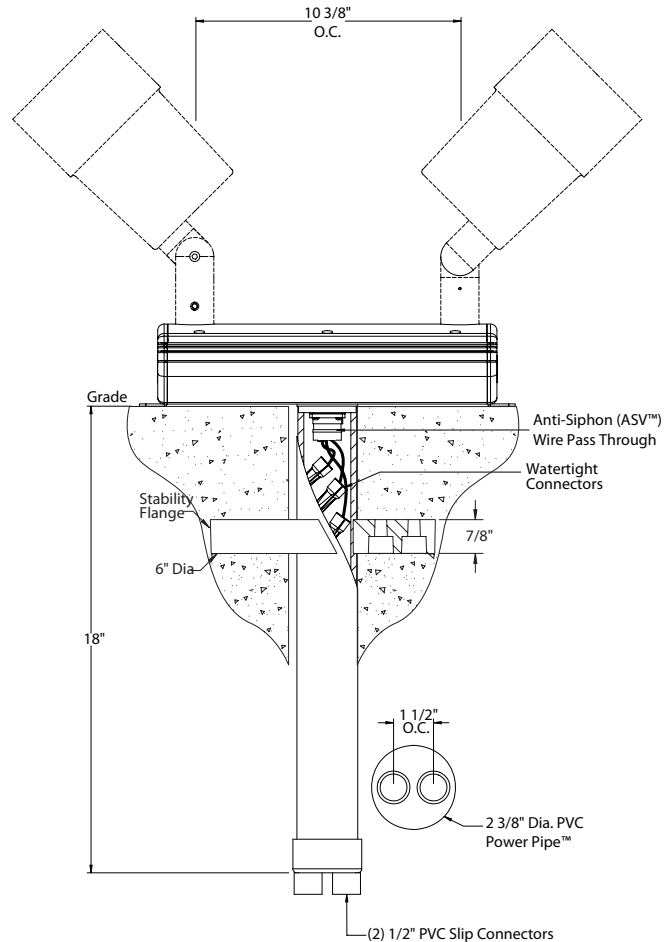
PROJECT:

TYPE:

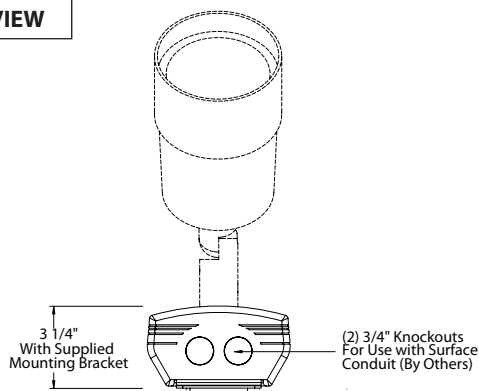
TOP VIEW



SIDE VIEW



END VIEW



SPECIFICATIONS

GreenSource Initiative™

Metal and packaging components are made from recycled materials. Manufactured using renewable solar energy, produced onsite. Returnable to manufacturer at end of life to ensure cradle-to-cradle handling. Packaging contains no chloro-fluorocarbons (CFC's). RoHs compliant.

Installation

Universal design accommodates twin metal halide fixtures (specified separately) and permits water-tight installation in four distinct mounting conditions:

Ground / Monument Installation

For use at grade level with integration of Power Pipe™ System, which provides direct burial wireway into concrete or soil. 6" dia., molded stability flange projects into substrate to simplify installation and reinforce housing stability. [2] 1/2" PVC slip connectors for through wiring. Includes stainless steel mounting brackets for additional anchor to architectural surface. Anti-Siphon Valve (ASV™) prevents "wicking" through conductor insulation. [3] Silicone filled wire nuts supplied for water-tight line connection. Maximum (2) #10 & (1) #18. Minimum (1) #12 & (1) #18.

Housing

Copper free, aluminum extrusion with die cast end caps. Surface mounted with flow through back channel to prevent water and debris collection. Machined aluminum cover with countersunk holes for flush hardware installation. Specify offset or center fixture position. Tamper-resistant, captive, black oxide stainless steel mounting screws. Front access for ease of installation and inspection. [2] 1/2" NPT female conduit entries per end cap for through wiring.

Installation Tether

Stainless steel cable with integral loop allows cover to temporarily suspend from housing during installation to simplify wire connection and component attachment.

Patented Knockouts

[4] 3/4" NPT, machined aluminum knockouts. High temperature, silicone 'O' Ring for water-tight seal. Patented design allows knockout to be reinserted without compromising seal integrity.

Ballast

[2] 20-150 watt, integral, high power factor, electronic metal halide ballasts permit split switching. Multi-Tap (120/208/240/277V) primary voltage 50/60Hz. H20E & H150E available in 120V, or 277V primary voltage. 50/60Hz.

Finish

StarGuard® (Pat. Pend.), a 15 stage chromate-free process cleans and conversion coats aluminum components prior to application of Class 'A' TGIC polyester powder coating. RoHs compliant. Finish to match fixture.

Warranty

5 year limited warranty.

Listings

NEMA 4X / IP-66 Rated Enclosure. ETL Listed to ANSI/UL Standard 50/50E and Certified to CAN/CSA Standard C22.2 No. 94.1/94.2. RoHs compliant. Made in USA.

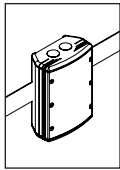


B-K LIGHTING

40429 Brickyard Drive • Madera, CA 93636 • USA
559.438.5800 • FAX 559.438.5900
www.bklighting.com • info@bklighting.com

SUBMITTAL DATE
2-8-11

DRAWING NUMBER
SUB-1434-00



PROJECT:	
TYPE:	
CATALOG NUMBER:	
LAMP(S):	
NOTES:	

CATALOG NUMBER LOGIC



Example

PM3RM - TSC-20 - H35E - BZP - MT - MB

Series

PM3RM - Universal Power Module™ 3 Remote

Mounting

TSC - Length - Tree Strap™ (Specify Adjustable Strap Length)
 Minimum 3" Adjustable Strap with Safety Cable (Standard)

Ballast Type

- H35E** - 35W Electronic Metal Halide Ballast
 - H50E** - 50W Electronic Metal Halide Ballast
 - H70E** - 70W Electronic Metal Halide Ballast
 - H100E** - 100W Electronic Metal Halide Ballast
 - H150E** - 150W Electronic Metal Halide Ballast*
- *H150E available in 120 VAC or 277 VAC only*

Finish

Aluminum Finish

Powder Coat Color	Satin	Wrinkle
Bronze	BZP	BZW
Black	BLP	BLW
White (Gloss)	WHP	WHW
Aluminum	SAP	—
Verde	—	VER

*Also available in Premium Finishes
 See submittal SUB-1439-00 for Premium Finishes*

Input Voltage

- 120** - 120 VAC Input*
 - 277** - 277 VAC Input*
 - MT** - 120/208/240/277 Volt Multi Tap (Electronic Ballast)
- *H150E available in 120 VAC or 277 VAC only*

Options

MB - Mounting Brackets

⚠ REMOTE WIRING

Electronic Ballast

Remote ballast installations require inter-connected wiring between the lamp and ballast (by others). Electronic ballasts have specific wiring requirements between these components. Ballast manufacturers regularly recommend the following wiring details for such installations:

- 1 Foot Minimum and 15 Foot Maximum Remote Wire Length (Ballast to Lamp Socket).
- Lamp leads must be run in a separate, dedicated metal conduit.
- Lamp leads must be 18 gauge, wire type SF-2 or SFF-2.
- Lamp leads must be placed in a minimum 1/2" internal diameter conduit, pipe, or flexible conduit.
- The use of metal clad cable assemblies or service power cords (SJ, SO, etc.) is prohibited.

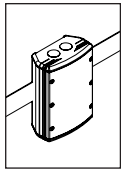
Please consult the factory through your local B-K Lighting Sales Representative prior to finalizing any installation detail utilizing remote ballast wiring.

Failure to comply with specific wiring requirements will void product warranty.

BALLAST ELECTRICAL DATA

BALLAST	TYPE	INPUT VOLTS	INPUT WATTS	INPUT CURRENT	CIRCUIT TYPE	MINIMUM START TEMPERATURE	REMOTE BALLAST WIRE LENGTH
H35E	Electronic	120	44	0.39	HPF	-5° F	1' Min - 15' Max.
H35E	Electronic	277	44	0.17	HPF	-5° F	1' Min - 15' Max.
H50E	Electronic	120	58	0.49	HPF	-5° F	1' Min - 15' Max.
H50E	Electronic	277	58	0.21	HPF	-5° F	1' Min - 15' Max.
H70E	Electronic	120	79	0.67	HPF	-5° F	1' Min - 15' Max.
H70E	Electronic	277	79	0.29	HPF	-5° F	1' Min - 15' Max.
H100E	Electronic	120	110	0.90	HPF	-5° F	1' Min - 15' Max.
H100E	Electronic	277	110	0.41	HPF	-5° F	1' Min - 15' Max.
H150E	Electronic	120	167	1.40	HPF	-22° F	1' Min - 15' Max.
H150E	Electronic	277	167	0.61	HPF	-22° F	1' Min - 15' Max.

Ballast Manufacturer's requirement: Wire used must only be 18 gauge, SF2 or SFF2, and be in a dedicated metal conduit of 1/2" I.D. Minimum, per lamp.



UNIVERSAL POWER MODULE
UPM

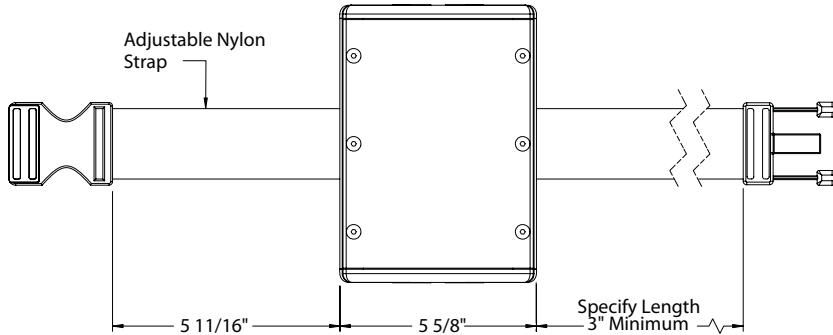
Metal Halide

PM3RM TREE STRAP™

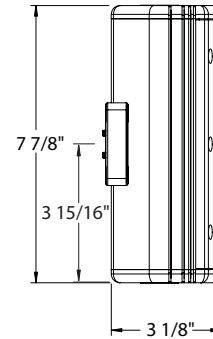
PROJECT:

TYPE:

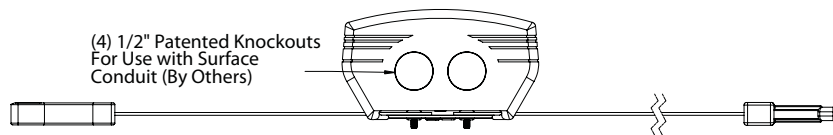
TOP VIEW



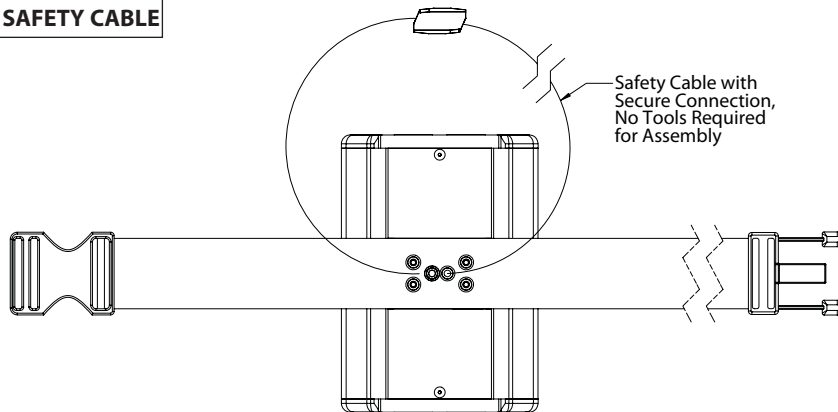
SIDE VIEW



END VIEW



SAFETY CABLE



SPECIFICATIONS

GreenSource Initiative™

Metal and packaging components are made from recycled materials. Manufactured using renewable solar energy, produced onsite. Returnable to manufacturer at end of life to ensure cradle-to-cradle handling. Packaging contains no chloro-fluorocarbons (CFC's). RoHs compliant.

Installation

Universal design for remote metal halide fixture (specified separately) Water-tight installation in three distinct mounting conditions.

Tree Installation

Tree Strap™ mounting system facilitates non-invasive installation. Adjustable nylon strap is mold and mildew resistant and will not hinder tree growth. Optional stainless steel safety cable maintains UPM mounting when nylon strap is disengaged.

Housing

Copper free, aluminum extrusion with die cast end caps. Surface mounted with flow through back channel to prevent water and debris collection. Machined aluminum cover with countersunk holes for flush hardware installation. Tamper-resistant, captive, black oxide stainless steel mounting screws. Front access for ease of installation and inspection. [2] 1/2" NPT female conduit entries per end cap for through wiring.

Installation Tether

Stainless steel cable with integral loop allows cover to temporarily suspend from housing during installation to simplify wire connection and component attachment.

Patented Knockouts

[4] 3/4" NPT, machined aluminum knockouts. High temperature, silicone 'O' Ring for water-tight seal. Patented design allows knockout to be reinserted without compromising seal integrity.

Ballast

[1] 35-150 watt, integral, high power factor, electronic metal halide ballast. Multi-Tap (120/208/240/277V) primary voltage 50/60Hz. H150E available in 120V, or 277V primary voltage. 50/60Hz.

Finish

StarGuard® (Pat. Pend.), a 15 stage chromate-free process cleans and conversion coats aluminum components prior to application of Class 'A' TGIC polyester powder coating. RoHs compliant.

Warranty

5 year limited warranty.

Listings

NEMA 4X / IP-66 Rated Enclosure. ETL Listed to ANSI/UL Standard 50/50E and Certified to CAN/CSA Standard C22.2 No. 94.1/94.2. RoHs compliant. Made in USA.

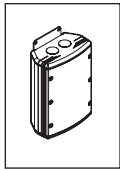


B-K LIGHTING

40429 Brickyard Drive • Madera, CA 93636 • USA
559.438.5800 • FAX 559.438.5900
www.bklighting.com • info@bklighting.com

SUBMITTAL DATE
2-8-11

DRAWING NUMBER
SUB-1526-00



PM3RM SURFACE MOUNT

PROJECT:	
TYPE:	
CATALOG NUMBER:	
LAMP(S):	
NOTES:	

CATALOG NUMBER LOGIC

Example **PM3RM** - **SM** - **H35E** - **BZP** - **MT**

Series ———— **PM3RM** - Universal Power Module™ 3 Remote

Mounting ———— **SM** - Surface Mount (requires side conduit entry)

Ballast Type ———— **H35E** - 35W Electronic Metal Halide Ballast
H50E - 50W Electronic Metal Halide Ballast
H70E - 70W Electronic Metal Halide Ballast
H100E - 100W Electronic Metal Halide Ballast
H150E - 150W Electronic Metal Halide Ballast*
**H150E available in 120 VAC or 277 VAC only*

Finish ———— **Aluminum Finish**

Powder Coat Color	Satin	Wrinkle
Bronze	BZP	BZW
Black	BLP	BLW
White (Gloss)	WHP	WHW
Aluminum	SAP	—
Verde	—	VER

*Also available in Premium Finishes
See submittal SUB-1439-00 for Premium Finishes*

Input Voltage ———— **120** - 120 VAC Input*
277 - 277 VAC Input*
MT - 120/208/240/277 Volt Multi Tap (Electronic Ballast)
**H150E available in 120 VAC or 277 VAC only*

⚠ REMOTE WIRING

Electronic Ballast

Remote ballast installations require inter-connected wiring between the lamp and ballast (by others). Electronic ballasts have specific wiring requirements between these components. Ballast manufacturers regularly recommend the following wiring details for such installations:

- 1 Foot Minimum and 15 Foot Maximum Remote Wire Length (Ballast to Lamp Socket).
- Lamp leads must be run in a separate, dedicated metal conduit.
- Lamp leads must be 18 gauge, wire type SF-2 or SFF-2.
- Lamp leads must be placed in a minimum 1/2" internal diameter conduit, pipe, or flexible conduit.
- The use of metal clad cable assemblies or service power cords (SJ, SO, etc.) is prohibited.

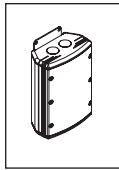
Please consult the factory through your local B-K Lighting Sales Representative prior to finalizing any installation detail utilizing remote ballast wiring.

Failure to comply with specific wiring requirements will void product warranty.

BALLAST ELECTRICAL DATA

BALLAST	TYPE	INPUT VOLTS	INPUT WATTS	INPUT CURRENT	CIRCUIT TYPE	MINIMUM START TEMPERATURE	REMOTE BALLAST WIRE LENGTH
H35E	Electronic	120	44	0.39	HPF	-5° F	1' Min - 15' Max.
H35E	Electronic	277	44	0.17	HPF	-5° F	1' Min - 15' Max.
H50E	Electronic	120	58	0.49	HPF	-5° F	1' Min - 15' Max.
H50E	Electronic	277	58	0.21	HPF	-5° F	1' Min - 15' Max.
H70E	Electronic	120	79	0.67	HPF	-5° F	1' Min - 15' Max.
H70E	Electronic	277	79	0.29	HPF	-5° F	1' Min - 15' Max.
H100E	Electronic	120	110	0.90	HPF	-5° F	1' Min - 15' Max.
H100E	Electronic	277	110	0.41	HPF	-5° F	1' Min - 15' Max.
H150E	Electronic	120	167	1.40	HPF	-22° F	1' Min - 15' Max.
H150E	Electronic	277	167	0.61	HPF	-22° F	1' Min - 15' Max.

Ballast Manufacturer's requirement: Wire used must only be 18 gauge, SF2 or SFF2, and be in a dedicated metal conduit of 1/2" I.D. Minimum, per lamp.



UNIVERSAL POWER MODULE
UPM

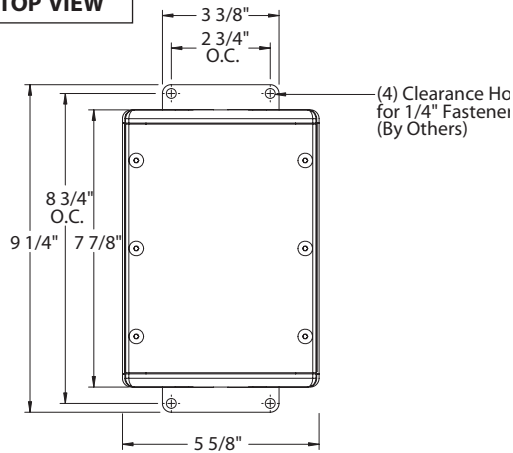
Metal Halide

PM3RM SURFACE MOUNT

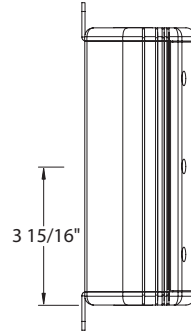
PROJECT:

TYPE:

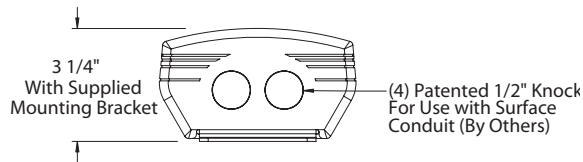
TOP VIEW



SIDE VIEW



END VIEW



SPECIFICATIONS

GreenSource Initiative™

Metal and packaging components are made from recycled materials. Manufactured using renewable solar energy, produced onsite. Returnable to manufacturer at end of life to ensure cradle-to-cradle handling. Packaging contains no chloro-fluorocarbons (CFC's). RoHs compliant.

Installation

Universal design for remote metal halide fixture (specified separately) Water-tight installation in three distinct mounting conditions.

Surface Mount

For use with side entry, surface conduits. Stainless steel mounting brackets provide for direct anchor to architectural surfaces in any orientation.

Housing

Copper free, aluminum extrusion with die cast end caps. Surface mounted with flow through back channel to prevent water and debris collection. Machined aluminum cover with countersunk holes for flush hardware installation. Tamper-resistant, captive, black oxide stainless steel mounting screws. Front access for ease of installation and inspection. [2] 1/2" NPT female conduit entries per end cap for through wiring.

Installation Tether

Stainless steel cable with integral loop allows cover to temporarily suspend from housing during installation to simplify wire connection and component attachment.

Patented Knockouts

[4] 3/4" NPT, machined aluminum knockouts. High temperature, silicone 'O' Ring for water-tight seal. Patented design allows knockout to be reinserted without compromising seal integrity.

Ballast

[1] 35-150 watt, integral, high power factor, electronic metal halide ballast. Multi-Tap (120/208/240/277V) primary voltage 50/60Hz. H150E available in 120V, or 277V primary voltage. 50/60Hz.

Finish

StarGuard® (Pat. Pend.), a 15 stage chromate-free process cleans and conversion coats aluminum components prior to application of Class 'A' TGIC polyester powder coating. RoHs compliant.

Warranty

5 year limited warranty.

Listings

NEMA 4X / IP-66 Rated Enclosure. ETL Listed to ANSI/UL Standard 50/50E and Certified to CAN/CSA Standard C22.2 No. 94.1/94.2. RoHs compliant. Made in USA.

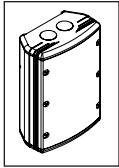


B-K LIGHTING

40429 Brickyard Drive • Madera, CA 93636 • USA
 559.438.5800 • FAX 559.438.5900
 www.bklighting.com • info@bklighting.com

SUBMITTAL DATE
2-8-11

DRAWING NUMBER
SUB-1528-00



UNIVERSAL POWER MODULE
UPM

Metal Halide

PM3RM JUNCTION BOX (CAMLOCK™)

PROJECT:	
TYPE:	
CATALOG NUMBER:	
LAMP(S):	
NOTES:	

CATALOG NUMBER LOGIC

Example PM3RM - CR - H35E - BZP - MT - MB

Series PM3RM - Universal Power Module™ 3 Remote

Mounting CR - Round CamLock™

Ballast Type H35E - 35W Electronic Metal Halide Ballast
H50E - 50W Electronic Metal Halide Ballast
H70E - 70W Electronic Metal Halide Ballast
H100E - 100W Electronic Metal Halide Ballast
H150E - 150W Electronic Metal Halide Ballast*
**H150E available in 120 VAC or 277 VAC only*

Finish BZP - Aluminum Finish

Powder Coat Color	Satin	Wrinkle
Bronze	BZP	BZW
Black	BLP	BLW
White (Gloss)	WHP	WHW
Aluminum	SAP	—
Verde	—	VER

*Also available in Premium Finishes
See submittal SUB-1439-00 for Premium Finishes*

Input Voltage 120 - 120 VAC Input*
277 - 277 VAC Input*
MT - 120/208/240/277 Volt Multi Tap (Electronic Ballast)
**H150E available in 120 VAC or 277 VAC only*

Options MB - Mounting Brackets

⚠ REMOTE WIRING

Electronic Ballast

Remote ballast installations require inter-connected wiring between the lamp and ballast (by others). Electronic ballasts have specific wiring requirements between these components. Ballast manufacturers regularly recommend the following wiring details for such installations:

- 1 Foot Minimum and 15 Foot Maximum Remote Wire Length (Ballast to Lamp Socket).
- Lamp leads must be run in a separate, dedicated metal conduit.
- Lamp leads must be 18 gauge, wire type SF-2 or SFF-2.
- Lamp leads must be placed in a minimum 1/2" internal diameter conduit, pipe, or flexible conduit.
- The use of metal clad cable assemblies or service power cords (SJ, SO, etc.) is prohibited.

Please consult the factory through your local B-K Lighting Sales Representative prior to finalizing any installation detail utilizing remote ballast wiring.

Failure to comply with specific wiring requirements will void product warranty.

BALLAST ELECTRICAL DATA

BALLAST	TYPE	INPUT VOLTS	INPUT WATTS	INPUT CURRENT	CIRCUIT TYPE	MINIMUM START TEMPERATURE	REMOTE BALLAST WIRE LENGTH
H35E	Electronic	120	44	0.39	HPF	-5° F	1' Min - 15' Max.
H35E	Electronic	277	44	0.17	HPF	-5° F	1' Min - 15' Max.
H50E	Electronic	120	58	0.49	HPF	-5° F	1' Min - 15' Max.
H50E	Electronic	277	58	0.21	HPF	-5° F	1' Min - 15' Max.
H70E	Electronic	120	79	0.67	HPF	-5° F	1' Min - 15' Max.
H70E	Electronic	277	79	0.29	HPF	-5° F	1' Min - 15' Max.
H100E	Electronic	120	110	0.90	HPF	-5° F	1' Min - 15' Max.
H100E	Electronic	277	110	0.41	HPF	-5° F	1' Min - 15' Max.
H150E	Electronic	120	167	1.40	HPF	-22° F	1' Min - 15' Max.
H150E	Electronic	277	167	0.61	HPF	-22° F	1' Min - 15' Max.

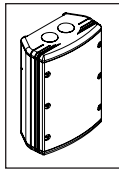
Ballast Manufacturer's requirement: Wire used must only be 18 gauge, SF2 or SFF2, and be in a dedicated metal conduit of 1/2" I.D. Minimum, per lamp.

B-K LIGHTING

40429 Brickyard Drive • Madera, CA 93636 • USA
 559.438.5800 • FAX 559.438.5900
 www.bklighting.com • info@bklighting.com

SUBMITTAL DATE
2-8-11

DRAWING NUMBER
SUB-1527-00

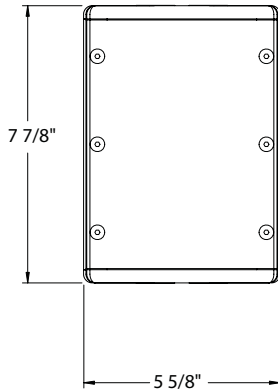


Metal Halide

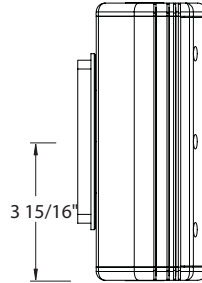
PM3RM JUNCTION BOX (CAMLOCK™)

PROJECT:	
TYPE:	

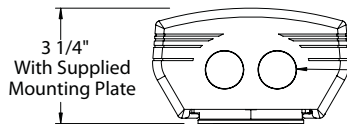
TOP VIEW



SIDE VIEW

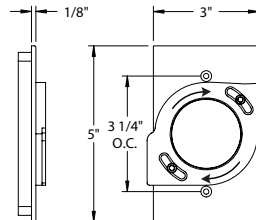


END VIEW



(4) Patented 3/4" Knob For Use with Surface Conduit (By Others)

ROUND CAMLOCK™ CANOPY



SPECIFICATIONS

GreenSource Initiative™

Metal and packaging components are made from recycled materials. Manufactured using renewable solar energy, produced onsite. Returnable to manufacturer at end of life to ensure cradle-to-cradle handling. Packaging contains no chloro-fluorocarbons (CFC's). RoHs compliant.

Installation

Universal design for remote metal halide fixture (specified separately) Water-tight installation in three distinct mounting conditions.

Round CamLock™ Canopy (Recessed Junction Box)

5" diameter, machined aluminum construction. Includes stainless steel universal mounting ring for use with 4" octagonal junction box. [2] tamper-resistant, black oxide stainless steel mounting screws. 1/8" thick HT-805A silicone foam gasket for water-tight seal. Integral CamLock™ provides additional 30° adjustment for precision alignment of UPM regardless of junction box orientation. Integral wiper seal maintains water-tight integrity between UPM and junction box. Optional stainless steel mounting brackets may be specified to provide additional anchor to architectural surface.

Housing

Copper free, aluminum extrusion with die cast end caps. Surface mounted with flow through back channel to prevent water and debris collection. Machined aluminum cover with countersunk holes for flush hardware installation. Tamper-resistant, captive, black oxide stainless steel mounting screws. Front access for ease of installation and inspection. [2] 1/2" NPT female conduit entries per end cap for through wiring.

Installation Tether

Stainless steel cable with integral loop allows cover to temporarily suspend from housing during installation to simplify wire connection and component attachment.

Patented Knockouts

[4] 3/4" NPT, machined aluminum knockouts. High temperature, silicone 'O' Ring for water-tight seal. Patented design allows knockout to be reinserted without compromising seal integrity.

Ballast

[1] 35-150 watt, integral, high power factor, electronic metal halide ballast. Multi-Tap (120/208/240/277V) primary voltage 50/60Hz. H150E available in 120V, or 277V primary voltage. 50/60Hz.

Finish

StarGuard® (Pat. Pend.), a 15 stage chromate-free process cleans and conversion coats aluminum components prior to application of Class 'A' TGIC polyester powder coating. RoHs compliant.

Warranty

5 year limited warranty.

Listings

NEMA 4X / IP-66 Rated Enclosure. ETL Listed to ANSI/UL Standard 50/50E and Certified to CAN/CSA Standard C22.2 No. 94.1/94.2. RoHs compliant. Made in USA.



B-K LIGHTING	40429 Brickyard Drive • Madera, CA 93636 • USA 559.438.5800 • FAX 559.438.5900 www.bklighting.com • info@bklighting.com	SUBMITTAL DATE	DRAWING NUMBER
		2-8-11	SUB-1527-00

UPM's Patented knockouts are covered by U.S. Patent No. 6,940,012 B2